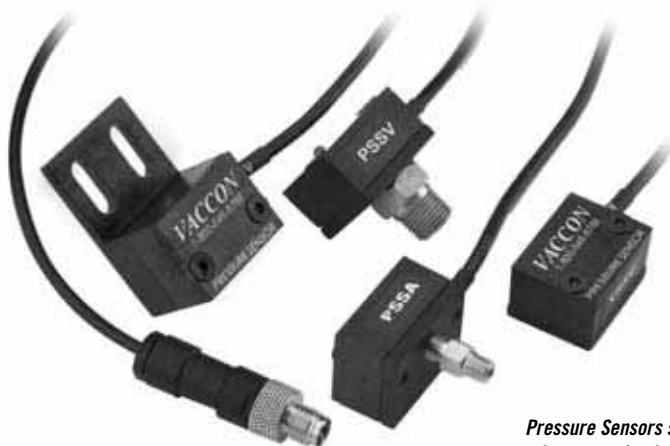


# Solid State Pressure Sensors

Miniature, precision control

## PSSA, PSSV Series



Pressure Sensors shown with optional adapters and quick disconnect

Vaccon's electronic pressure sensors provide continuous voltage or current output proportional to the system pressure. These sensors are available as a 4-20mA, or 0-5VDC output devices.

*Because sensors provide a constant signal, system design may be reconfigured with software changes rather than mechanical adjustment typical of a switch.*

### Pressure Sensor Options:

- Remote mount
- Male port adapters 10-32 or 1/8" NPT
- 10' [3m] leads
- Electrical quick disconnects

### Ideal Applications:

- Process control
- Leak testing
- Monitoring
- Manifold mount

### Features/Benefits

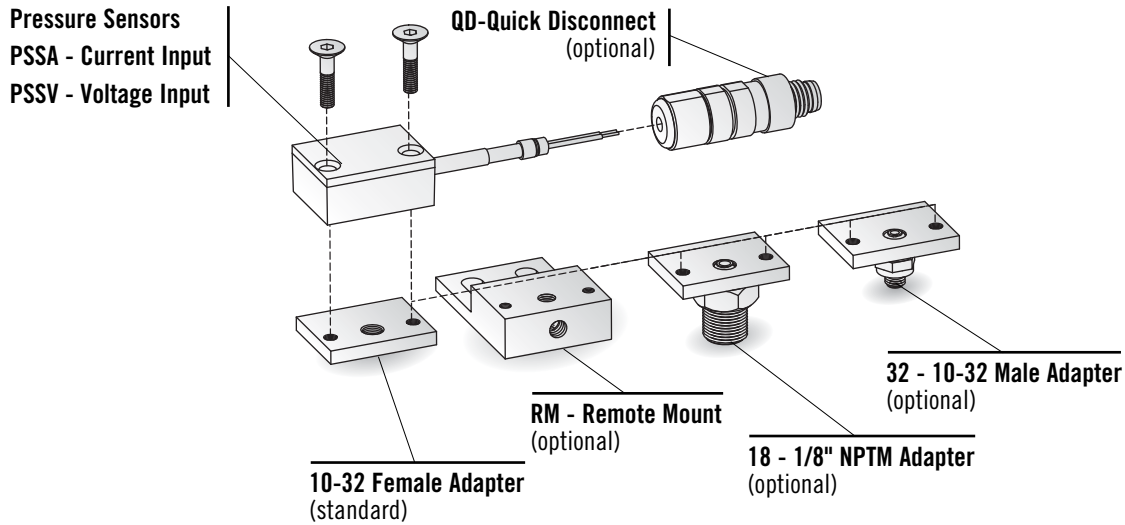
- Compact – placed at point of use for accurate reading and quick response
- Lightweight – 1 oz [28.35 g]
- Accurate and repeatable
- RoHS compliant and meets EMC standards

### Standard Pressure Sensors:

**PSSA:** Designed to interface with a Current-input module of a PLC and provides an analog current output proportional to the pressure level present at the sensor.

**PSSV:** Designed to interface with a Voltage-input module of a PLC and provides an analog voltage output proportional to the pressure level present at the sensor.

## PSSA, PSSV Pressure Sensor Configurations and Options:



### How to Specify:

P/N	Pressure Sensor
PSSA	Adj. Mini Pressure Sensor – Current Input
PSSV	Adj. Mini Pressure Sensor – Voltage Input

**PSSA - RM - QD**

P/N	Switch
QD	Quick Disconnect

P/N	Adapter Options
	10-32 Female Adapter (Std)
RM	Remote Mount
32	10-32 Male Adapter
18	1/8" NPTM Adapter
10	10' [3m] Leads

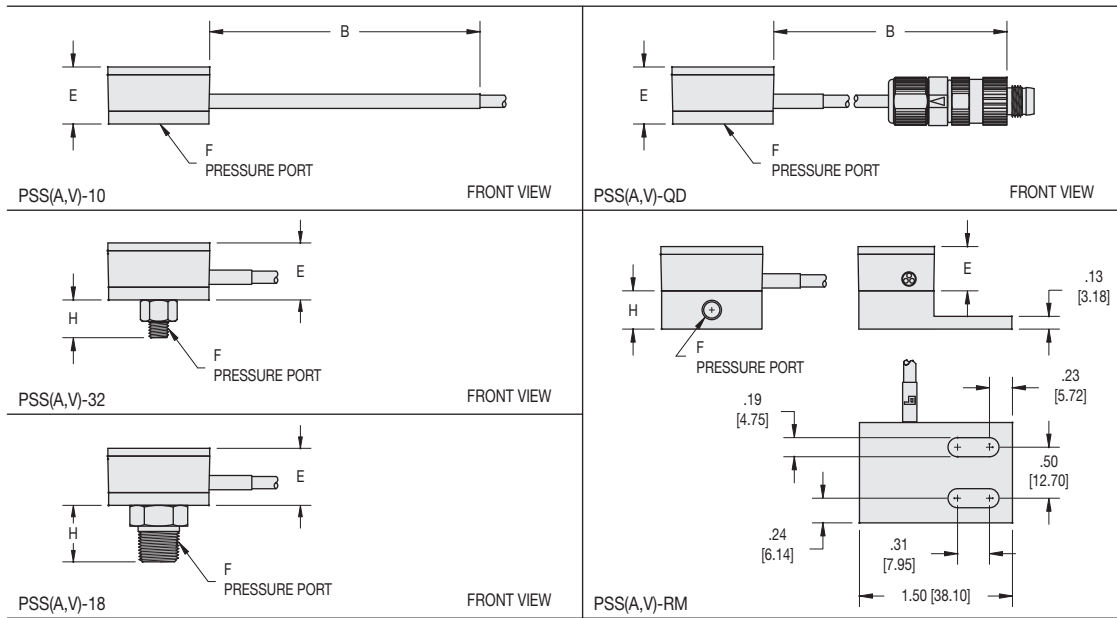
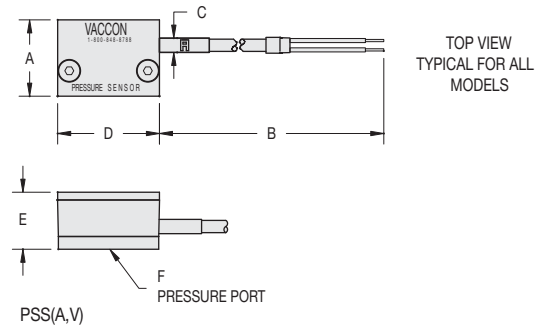


### On-line Configurator and CAD Drawings @ [www.vaccon.com](http://www.vaccon.com)

New powerful design tool saves you time by configuring the pump you need on-line. When complete, simply download the CAD drawing in any one of 13 different CAD formats and insert it right into your design.

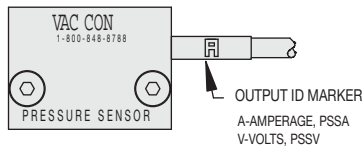
***Get the pump you need,  
in the format you like!***

## Solid State Pressure Sensor: PSSA, PSSV

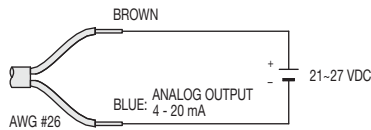


Model #	Dimensions		A	B	C	D	E	F	H	Weight
	in.	mm								
PSS (A, V)	in.	mm	0.75 [19.1]	24.00 [609.6]	0.12 [3.0]	1.00 [25.4]	0.56 [14.2]	10-32 F	N/A	0.6 oz [17g]
	in.	mm		120.00 [3084.0]						1.5 oz [43g]
PSS (A, V)-10	in.	mm	0.75 [19.1]	24.00 [609.6]	0.12 [3.0]	1.00 [25.4]	0.56 [14.2]	10-32 M	0.46 [11.7]	0.7 oz [20g]
	in.	mm								1/8 NPT M
PSS (A, V)-32	in.	mm	0.75 [19.1]	24.00 [609.6]	0.12 [3.0]	1.00 [25.4]	0.56 [14.2]	10-32 F	N/A	1.2 oz [34g]
	in.	mm								0.37 [9.4]
PSS (A, V)-18	in.	mm	0.75 [19.1]	24.00 [609.6]	0.12 [3.0]	1.00 [25.4]	0.56 [14.2]	10-32 F	N/A	1.2 oz [34g]
	in.	mm								0.37 [9.4]
PSS (A, V)-QD	in.	mm	0.75 [19.1]	24.00 [609.6]	0.12 [3.0]	1.00 [25.4]	0.56 [14.2]	10-32 F	N/A	1.2 oz [34g]
	in.	mm								0.37 [9.4]
PSS (A, V)-RM	in.	mm	0.75 [19.1]	24.00 [609.6]	0.12 [3.0]	1.00 [25.4]	0.56 [14.2]	10-32 F	N/A	1.2 oz [34g]
	in.	mm								0.37 [9.4]

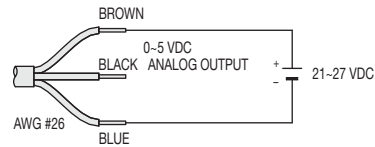
## Wiring Schematic for PSS (A, V)



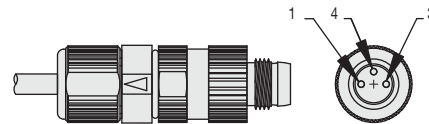
### WIRING: PSSA



### WIRING: PSSV



QUICK DISCONNECT PIN OUT  
PIN 1, BROWN, + VDC  
PIN 3, BLUE, - VDC, ANALOG OUTPUT



QUICK DISCONNECT PIN OUT  
PIN 1, BROWN, + VDC  
PIN 4, BLACK, ANALOG OUTPUT  
PIN 3, BLUE, - VDC

## PSS (A, V) Solid State Pressure Sensor Specifications:

	PSSA	PSSV
Rated Pressure Range:	10 PSI to 150 PSI [0.7 bar to 10.3 bar]	
Proof Pressure:	300 PSI [20.7 bar]	
Burst Pressure:	500 PSI [34.5 bar]	
Media:	Non-Corrosive, Dry Gases	
Supply Voltage:	21 to 27 VDC	
Current Consumption:	20 mA Max.	
Sensing/Switching Material:	Single Crystal Silicon	
Output:	4-20 mA	0-5 VDC
Electrical Connection:	2 Wire - 26 AWG - 2' [0.6m], Optional 3 pin, M8 Quick Disconnect	3Wire - 26 AWG - 2' [0.6m], Optional 3 pin, M8 Quick Disconnect
Circuit Protection:	NONE	
Linearity:	+/- 0.5% Full Scale	
Thermal Error:	+/- 7% Full Scale/212°F Max. [100°C]	
Thermal Compensation:	None	
Display:	None	
IP Protection:	IP00	
Operating Temperature:	-40°F to 150°F [-40°C to 65°C]	
Operating Humidity:	35 to 85% RH (No Condensation)	
Construction:	Glass filed ABS/Aluminum/Buna	
Fitting/Connection:	10-32 Female Standard, Optional 10-32 Male, 1/8" NPT Male, Face Seal Mount	
Weight:	0.6 oz [17g]	
Safety and Environmental Compliance:	RoHS	