

Electronic Vacuum Sensor

Ultra-miniature, precision control

VTMV Series



Vaccon's ultra-mini electronic vacuum sensors provide continuous voltage output (1-5v) proportional to the system vacuum level. Connected to a feedback interface such as a digital display or PLC, the VTMV is a cost effective, reliable sensor that maintains application consistency. Sensors can be mounted directly to Vaccon's Mini, Mid and MP Series pumps.

Sensor Options:

- Electrical quick disconnects

How to Specify:

- Sensor: VTMV
- Sensor w/Quick Disconnect: VTMV-QD

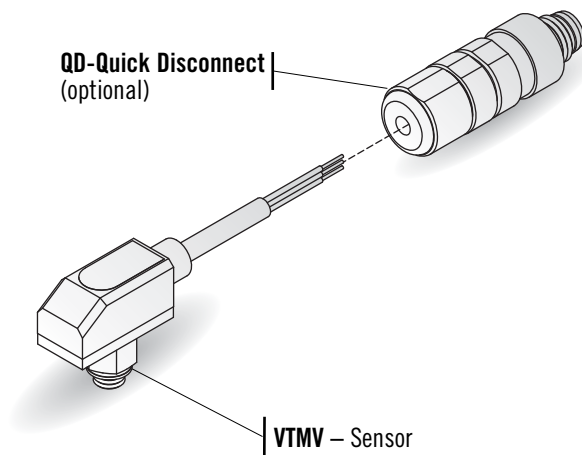
Ideal Applications:

- Part present detection
- End-of-Arm Tooling/Robotic assembly
- Material handling
- Monitoring vacuum vessels
- Statistical process control

Features/Benefits

- Compact – placed at point of use for accurate reading and quick response time
- Lightweight – ideal for End-of-Arm Tooling, robotic end effectors
- Low power consumption
- Mountable to both Vaccon or non-Vaccon M5 vacuum port
- Swivel fitting – operates in any position
- RoHS compliant and meets EMC standards

VTMV Sensor Configurations and Options:



On-line Configurator and CAD Drawings @ www.vaccon.com

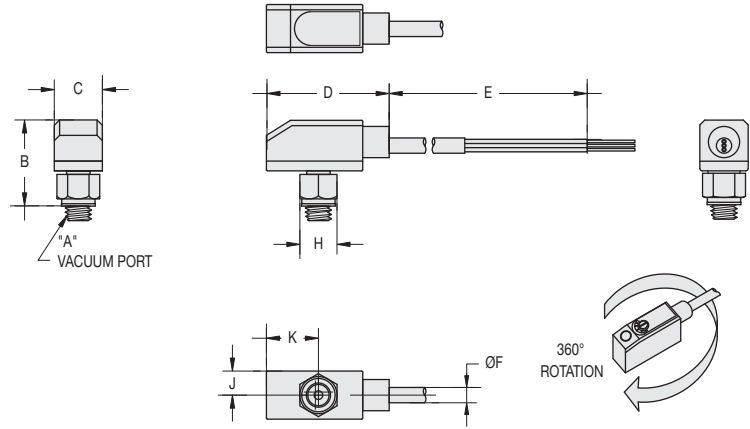
New powerful design tool saves you time by configuring the pump you need on-line. When complete, simply download the CAD drawing in any one of 13 different CAD formats and insert it right into your design.

Get the pump you need, in the format you like!

Standard Sensor: VTMV



VTMV

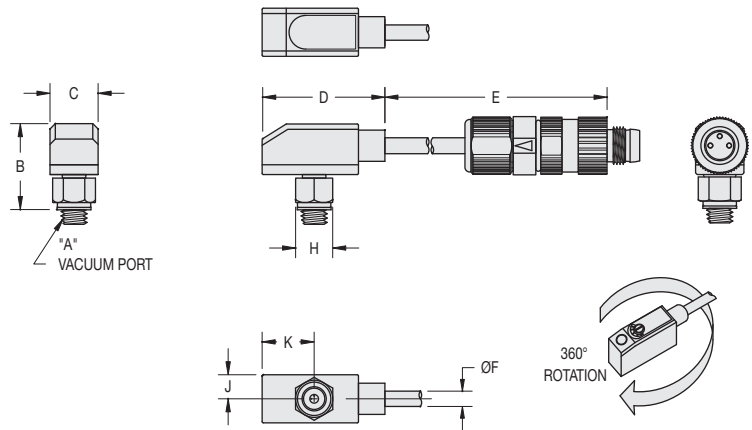


Model #	Dimensions										Weight
		A	B	C	D	E	F	H	J	K	
VTMV	in.	M5	0.71	0.39	1.01	57.80	0.13	0.30	0.20	0.43	1.0 oz
	mm	M5	18.0	9.9	25.7	1468.1	3.3	7.6	5.1	10.9	28 g

Sensor with Quick Disconnect: VTMV-QD

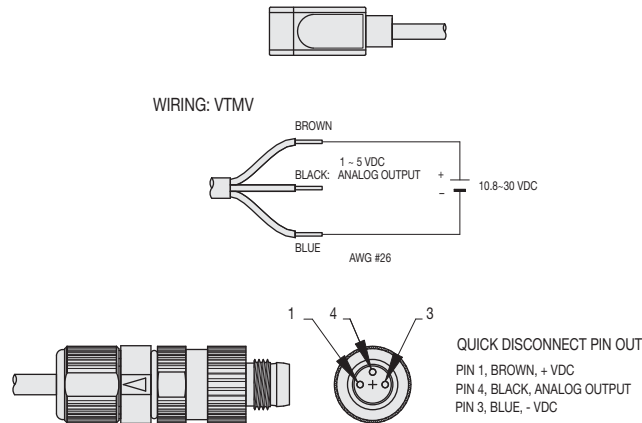


VTMV-QD



Model #	Dimensions										Weight
		A	B	C	D	E	F	H	J	K	
VTMV-QD	in.	M5	0.71	0.39	1.01	57.80	0.13	0.30	0.20	0.43	1.6 oz
	mm	M5	18.0	9.9	25.7	1468.1	3.3	7.6	5.1	10.9	45 g

Wiring Schematic for VTMV



VTMV Electronic Vacuum Sensor Specifications:

Rated Vacuum Range:	0" to 30" Hg [0 mbar to -1015 mbar]
Burst Pressure:	29 PSI [2 bar]
Media:	Non-Corrosive, Dry Gases
Supply Voltage:	10.8 to 30 VDC
Current Consumption:	20 mA Max.
Sensing/Switching Material:	Single Crystal Silicon
Output:	1 to 5 VDC
Electrical Connection:	3 Wire - 26 AWG - 5' [1.5M], Optional 3 pin, M8 Quick Disconnect
Response Time:	Approximately 1 ms
Circuit Protection:	NONE
Linearity:	+/- 0.5% Full Scale
Thermal Error:	+/- 2% Full Scale/121°F [50°C]
Thermal Compensation:	32°F to 121°F [0°C to 50°C]
Display:	None
IP Protection:	IP00
Operating Temperature:	15°F to 140°F [-10°C to 60°C]
Operating Humidity:	35 to 85% RH (No Condensation)
Construction:	Glass filed ABS/Aluminum/Buna
Fitting/Connection:	M5x.8 - 360° swivel male fitting
Weight:	1 oz [28.3g]
Safety and Environmental Compliance:	CE, RoHS