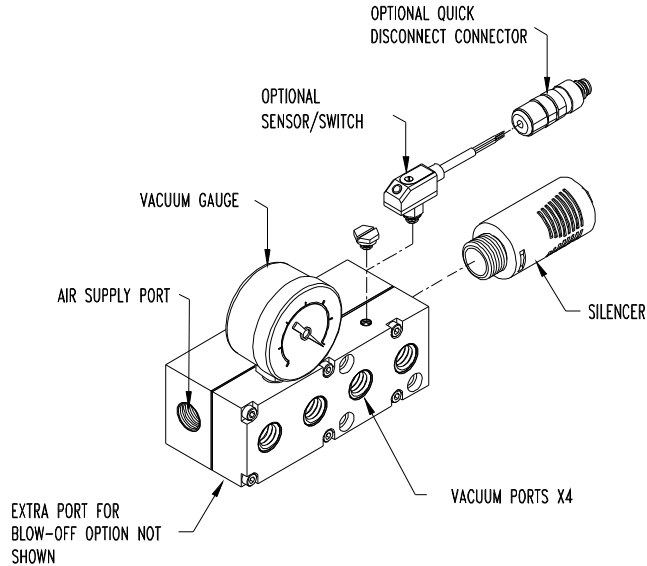


Operating Instructions for VP20, 80 and 90 Multi-Port Series Vacuum Pumps



How it works:

The Multi-Port Series vacuum pumps have an integral manifold system that offers 4 or 6 vacuum ports for “Home Run” plumbing lines, connecting one pump to multiple connections, eliminating the need for additional manifolds. The streamlined design minimizes flow loss, maximizes vacuum flow and allows faster cycle times for safe, efficient operation.

Installation:

Step 1: Mount pump. Pump has three mounting holes that accept 10-32 (M5) screws (screws not supplied). Pump works in any orientation.

Step 2: Attach air line to air supply port. Vacuum lines to vacuum ports (Plug unused vacuum ports with included plugs.) See chart below for minimum recommended tube sizes.

Options: Attach compressed air line to blow off port for ejecting parts, optional switch for vacuum detection.

Step 3: Turn on compressed air to specified pressure regulated at (80 PSI standard, -60 models 60 PSI. Set regulator while pump is operating). Multi-Port will generate vacuum.

Model No.	Supply Port Threads	Recommended Air Supply Line	Vacuum Port Threads	Recommended Vacuum Lines	Number of Ports
VP10-(60,90) MP Series	1/4"NPT	1/4"	1/8"NPT	1/4"	4
VP10-(100,150) MP Series	1/4"NPT	3/8"	1/8"NPT	1/4"	4
VP20-(60,90) MP Series	1/4"NPT	1/4"	1/4"NPT	1/4"	4
VP20-(100,150) MP Series	1/4"NPT	3/8"	1/4"NPT	3/8"	4
VP80-200 MP Series	1/4"NPT	3/8"	3/8"NPT	3/8"	4
VP80-250 MP Series	1/4"NPT	3/8"	3/8"NPT	3/8"	4
VP90-300 MP Series	3/8"NPT	1/2"	1/2"NPT	1/2"	6
VP90-350 MP Series	3/8"NPT	1/2"	1/2"NPT	3/4"	6

Tubing size based on 0.062 wall polyethylene and polyurethane tubing.
 Note: Vaccon discourages the use of quick disconnect fittings on all connections.

REV A 4/4/06