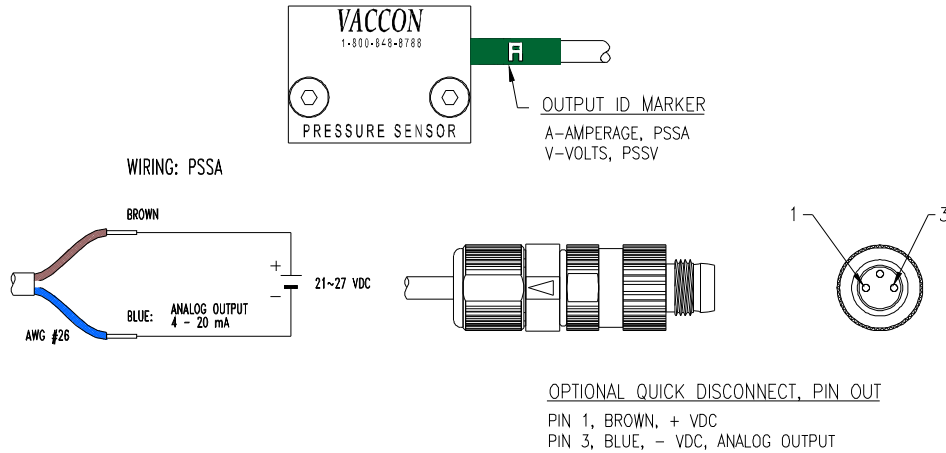


Wiring Diagram and Specifications for Vaccon PSSA Solid State Pressure Sensor

The Vaccon PSSA Electronic Pressure Sensor provides an analog current output proportional to the pressure level present at the sensor.



NOTE: The PSSA is manufactured with 3-conductor wire. Cutting the wire, to shorten the lead length, will expose a 3rd conductor wire. The black conductor wire is not used.

	Solid State Pressure Sensors
Specifications	PSSA
Rated Pressure Range	10 PSI to 150 PSI (.7 bar to 10.3 bar)
Proof Pressure	300 PSI (20.7 bar)
Burst Pressure	500 PSI (34.5 bar)
Media	Non-Corrosive, Dry Gases
Supply Voltage	21 - 27 VDC
Current Consumption	20 mA Max.
Sensing/Switching Material	Single Crystal Silicon
Output	4 - 20 mA
Electrical Connection	2-Wire - 26 AWG - 2'(6m), Optional 3 Pin, M8 Quick Disconnect
Circuit Protection	NONE
Linearity	+/- 0.05 % Full Scale
Thermal Error	+/- 7% Full Scale/ 212 °F Max (100 °C)
Thermal Compensation	NONE
Display	NONE
IP Protection	IP00
Operating Temperature	-40°F to 150°F (-40°C to 65°C)
Operating Humidity	35 to 85% RH (No Condensation)
Construction	Glass filled ABS/ Aluminum/ Buna
Fitting/Connection	10-32 Female, Optional 10-32 Male, 1/8" NPT Male, Face seal mount
Net Weight	0.6 oz. (17g)
Safety and Environmental Compliance	RohS

Vaccon Return Policy - Electronic Products (Switches, Sensors, Valves)

To return a product, whether it was ordered incorrectly or is defective, please contact your local Vaccon distributor for a Return Material Authorization number (RMA). For Vaccon distributors, please have the following information available: original invoice number, date ordered, the product part number, quantity being returned and the reason for return.

- a. **Damage due to improper installation / application** - Detailed installation and operating instructions are included with every electronic product. Any installation that deviates from these instructions or any application not within these specifications voids any warranty and the product cannot be returned and credit will not be issued.
- b. **Modified/Altered Product** - Any product that has been altered or modified in any way voids the warranty and the product cannot be returned and credit will not be issued.
- c. **Incorrect Shipment or Defective Product** - If a shipment is incorrect (quantity, model number, etc.) please notify Vaccon within 3 business days of receipt of order. Any defective product, under warranty, that is returned to Vaccon will be repaired, replaced or credited 100% at Vaccon's discretion. Product returned to the customer will be returned at Vaccon's expense. Any product that is returned due to manufacturer's defect must be returned in its original condition or a credit will not be issued.
- d. **Damage due to shipping/ handling** - If product is received damaged due to transportation mishandling, please contact your local Vaccon distributor. Vaccon will credit the shipping charges once a claim number has been filed and Vaccon has received a credit. Any product returned to Vaccon that is not properly packaged and results in the product being damaged will be assessed a charge based on the cost to return it to resalable condition. If the product cannot be repaired, a credit will not be issued.

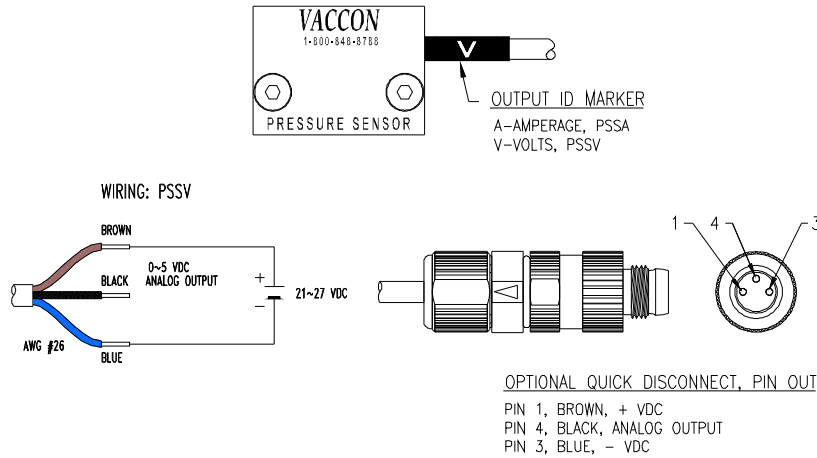
For a copy of Vaccon's complete return policy please contact your local Vaccon distributor or Vaccon customer service.

Warranty – Electronic Products (Switches, Sensors, Valves)

Vaccon Company warrants that its electronic products are free from defects in workmanship and materials for a period of 90 days after invoice. The company makes no other warranty, expressed or implied, and will not assume any liability for damages, labor or delays incidental hereto. Not intended for life support systems.

Wiring Diagram and Specifications for Vaccon PSSV Solid State Pressure Sensor

The Vaccon PSSV Pressure Sensor provides an analog voltage output proportional to the pressure level present at the sensor.



	Solid State Pressure Sensors
Specifications	PSSV
Rated Pressure Range	10 PSI to 150 PSI (.7 bar to 10.3 bar)
Proof Pressure	300 PSI (20.7 bar)
Burst Pressure	500 PSI (34.5 bar)
Media	Non-Corrosive, Dry Gases
Supply Voltage	21 - 27 VDC
Current Consumption	20 mA Max.
Sensing/Switching Material	Single Crystal Silicon
Output	0 - 5 VDC
Electrical Connection	3-Wire - 26 AWG - 2'(.6m), Optional 3 Pin, M8 Quick Disconnect
Circuit Protection	NONE
Linearity	+/- 0.05 % Full Scale
Thermal Error	+/- 7% Full Scale/ 212 °F Max (100 °C)
Thermal Compensation	NONE
Display	NONE
IP Protection	IP00
Operating Temperature	-40°F to 150°F (-40°C to 65°C)
Operating Humidity	35 to 85% RH (No Condensation)
Construction	Glass filled ABS/ Aluminum/ Buna
Fitting/Connection	10-32 Female, Optional 10-32 Male, 1/8" NPT Male, Face seal mount
Net Weight	0.6 oz. (17g)
Safety and Environmental Compliance	RohS

Vaccon Return Policy - Electronic Products (Switches, Sensors, Valves)

To return a product, whether it was ordered incorrectly or is defective, please contact your local Vaccon distributor for a Return Material Authorization number (RMA). For Vaccon distributors, please have the following information available: original invoice number, date ordered, the product part number, quantity being returned and the reason for return.

- a. Damage due to improper installation / application** - Detailed installation and operating instructions are included with every electronic product. Any installation that deviates from these instructions or any application not within these specifications voids any warranty and the product cannot be returned and credit will not be issued.
- b. Modified/Altered Product** - Any product that has been altered or modified in any way voids the warranty and the product cannot be returned and credit will not be issued.
- c. Incorrect Shipment or Defective Product** - If a shipment is incorrect (quantity, model number, etc.) please notify Vaccon within 3 business days of receipt of order. Any defective product, under warranty, that is returned to Vaccon will be repaired, replaced or credited 100% at Vaccon's discretion. Product returned to the customer will be returned at Vaccon's expense. Any product that is returned due to manufacturer's defect must be returned in its original condition or a credit will not be issued.
- d. Damage due to shipping/ handling** - If product is received damaged due to transportation mishandling, please contact your local Vaccon distributor. Vaccon will credit the shipping charges once a claim number has been filed and Vaccon has received a credit. Any product returned to Vaccon that is not properly packaged and results in the product being damaged will be assessed a charge based on the cost to return it to resalable condition. If the product cannot be repaired, a credit will not be issued.

For a copy of Vaccon's complete return policy please contact your local Vaccon distributor or Vaccon customer service.

Warranty – Electronic Products (Switches, Sensors, Valves)

Vaccon Company warrants that its electronic products are free from defects in workmanship and materials for a period of 90 days after invoice. The company makes no other warranty, expressed or implied, and will not assume any liability for damages, labor or delays incidental hereto. Not intended for life support systems.