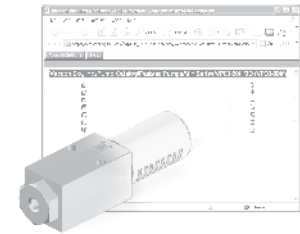
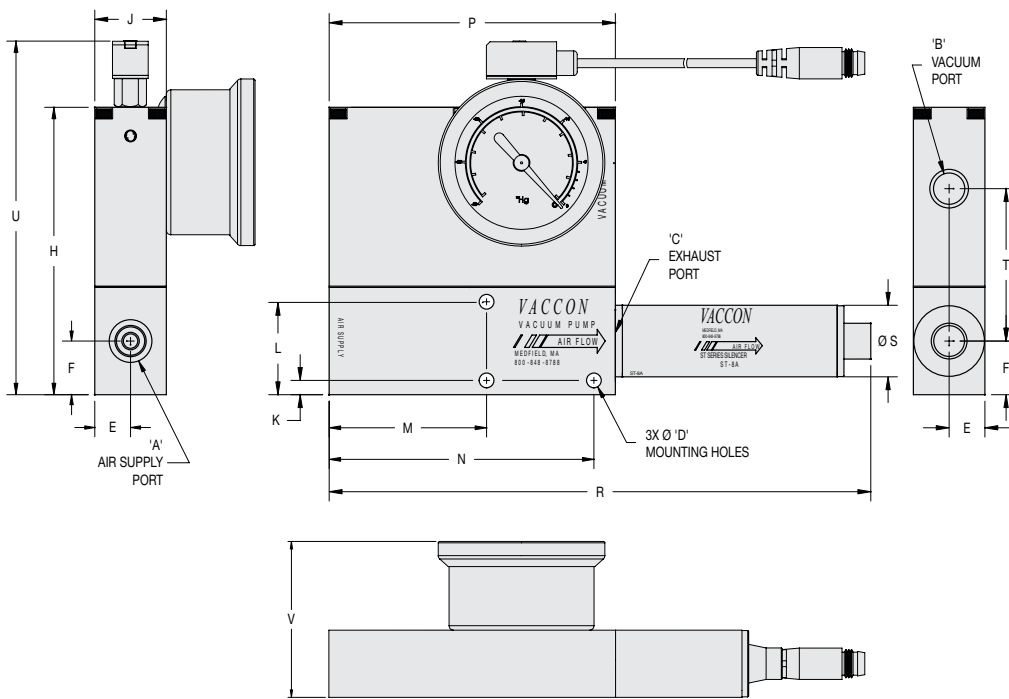


## HVP HighVac Series Configurations and Options:

Drawing below is representative of all HVP pumps.



**On-line Configurator and CAD Drawings @ [www.vaccon.com](http://www.vaccon.com)**

New powerful design tool saves you time by configuring the pump you need on-line. When complete, simply download the CAD drawing in any one of 13 different CAD formats and insert it right into your design.

**Get the pump you need, in the format you like!**



**Specifications:**

**Weight:** 9oz [255g]  
**Noise Level:** 71 dB



**Specifications:**

**Weight:** 1 lb 11 oz [765g]  
**Noise Level:** 74 dB



**Specifications:**

**Weight:** 2 lb [907g]  
**Noise Level:** 79 dB

Model #	Imperial Dimensions (in.)																	
	A	B	C	D	E	F	H	J	K	L	M	N	P	R	S	T	U	V
HVP-100	1/4 NPTF	1/8 NPTF	1/4 NPTF	0.12	0.38	0.38	2.28	0.75	0.09	0.67	1.78	N/A	3.20	5.06	0.75	1.28	3.02	2.00
HVP-200	1/4 NPTF	1/4 NPTF	1/2 NPTF	0.21	0.50	0.75	4.02	1.00	0.20	N/A	2.20	3.70	4.00	7.57	1.00	2.13	4.76	2.00
HVP-300	3/8 NPTF	1/4 NPTF	1/2 NPTF	0.21	0.50	0.75	4.02	1.00	0.20	N/A	2.50	4.00	5.00	9.81	1.25	2.12	4.76	2.00

Model #	Metric Dimensions (mm)																	
	A	B	C	D	E	F	H	J	K	L	M	N	P	R	S	T	U	U
I-HVP-100	G 1/4	G 1/8	G 1/4	3.1	9.7	9.7	57.9	19.1	2.3	17.0	45.2	N/A	81.3	128.5	19.1	32.5	76.7	50.8
I-HVP-200	G 1/4	G 1/4	G 1/2	5.3	12.7	19.1	102.1	25.4	5.1	N/A	55.9	94.0	101.6	192.3	25.4	54.1	120.9	50.8
I-HVP-300	G 3/8	G 1/4	G 1/2	5.3	12.7	19.1	102.1	25.4	5.1	N/A	63.5	101.6	127.0	249.2	31.8	53.8	120.9	50.8