

# In-Line Vacuum Filters



## In-Line Vacuum Filters

Add Vaccon's compact in-line vacuum filters to vacuum lines or air-supply lines to trap dirt and debris from entering the process, or to the exhaust port to capture airborne contaminants.

Vaccon's pleated-element design offers a filter with significantly longer life and much higher flow capacity than non-pleated, porous plastic designs. The large surface area increases filter life while reducing maintenance costs.



*VFC-1500F vacuum filter  
with replacement element*

## Ideal for use in dirty, dusty applications:

- Material handling equipment
- Printing
- Paper and pulp
- Wood chips
- Powder and plastic dust

The durable injection molded nylon and polycarbonate construction of the VF models and the metal construction of the VFC-1500F handle the most challenging environments. The 10-micron paper filters are rated for full vacuum to 150 PSI [10 bar] pressure.

You can use Vaccon inline-filters in conjunction with any manufacturer's vacuum pumps.

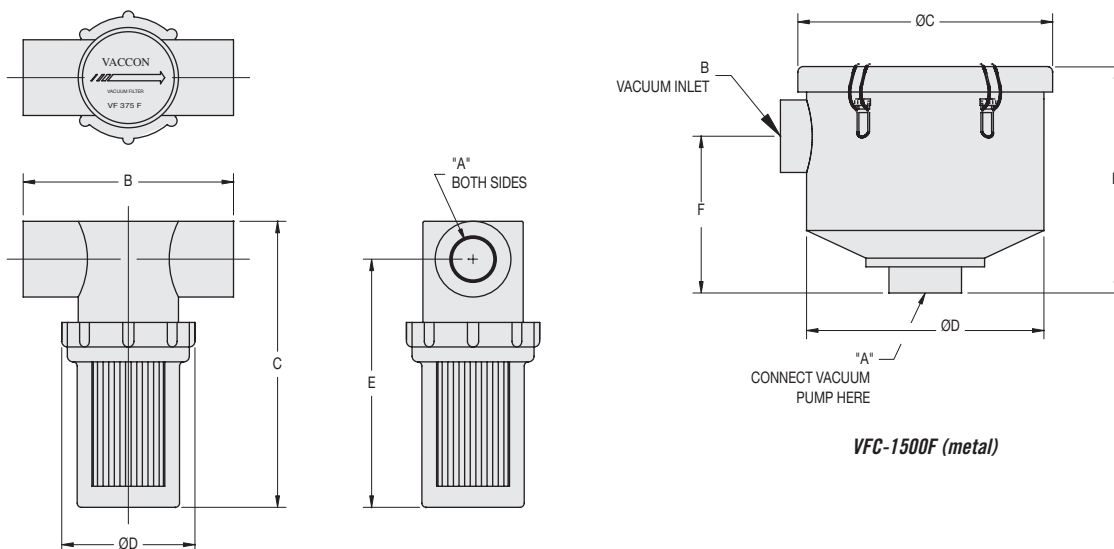
**Please Note:** Under normal conditions, Vaccon's unique single-stage pumps do not require vacuum filters for maximum operating efficiency.

## Features/Benefits:

- High flow – no restrictions, maximum operating efficiency
- 10 Micron filtration – protects pumps and equipment from dirt and dust
- 10 Models and sizes – fit most manufacturer's vacuum pumps and models
- Easy to install and service – without removing from production line
- Economical – pleated element's large surface area provides longer filter life. Low-cost replacement elements available.
- Reliable, durable and worry-free operation – protects pumps, valves, and equipment from dirty, dusty environments
  - ~ Long Life
  - ~ Longer service time
  - ~ Less maintenance
  - ~ Low operating costs

## Filter Options:

- Low (short) and tall (long) profiles
- Male and female NPT connections
- Plastic or metal filters



VF models (nylon/clear polycarbonate)

VFC-1500F (metal)

Model Number	Dimensions						Weight	Housing	Replacement Elements		
	A	B	C	D	E						
VF125LPM	in	1/8" NPT M	3.04	2.40	1.90	1.97	1.9 oz	nylon & clear polycarbonate	RE1 - 3 Pack		
	mm		77.2	61.0	48.3	50.0	54g				
VF250LPM	in	1/4" NPT M	3.04	2.40	1.90	1.97	2.0 oz			RE1 LB - 3 Pack	
	mm		77.2	61.0	48.3	50.0	57g				
VF250LPF	in	1/4" NPT F	3.00	2.40	1.90	1.97	2.0 oz				RE2 - 3 Pack
	mm		76.2	61.0	48.3	50.0	57g				
VF375LPM	in	3/8" NPT M	3.04	2.40	1.90	1.97	2.0 oz		RE3 - 3 Pack		
	mm		77.2	61.0	48.3	50.0	57g				
VF250F	in	1/4" NPT F	3.00	3.77	1.90	3.38	2.0 oz			RE4 - 3 Pack	
	mm		76.2	95.8	48.3	85.9	57g				
VF375F	in	3/8" NPT F	3.00	3.79	1.90	3.20	2.0 oz				metal
	mm		76.2	96.3	48.3	81.3	57g				
VF500F	in	1/2" NPT F	3.58	5.06	2.93	4.46	5.6 oz	RE-848 - 1 Pack			
	mm		90.9	128.5	74.4	113.3	159g				
VF750F	in	3/4" NPT F	3.58	5.06	2.93	4.46	5.6 oz		RE-848 - 1 Pack		
	mm		90.9	128.5	74.4	113.3	159g				
VF1000F	in	1" NPT F	4.94	6.50	4.10	5.59	7.8 oz			RE-848 - 1 Pack	
	mm		125.5	165.1	104.1	142.0	221g				
VF1500F	in	1 1/2" NPT F	5.08	8.06	4.10	6.94	7.8 oz	RE-848 - 1 Pack			
	mm		129.0	204.7	104.1	176.3	221g				
VFC-1500F	in.	1 1/2" NPT F	1 1/2" NPT F	7.31	6.81	6.50	4lb 5oz		RE-848 - 1 Pack		
	mm			185.7	173.0	165.1	2.0kg				

## How to Specify:

When ordering specify model number: **VF1500F**.

Consider size of tubing, fittings and pump. Consult factory for assistance.