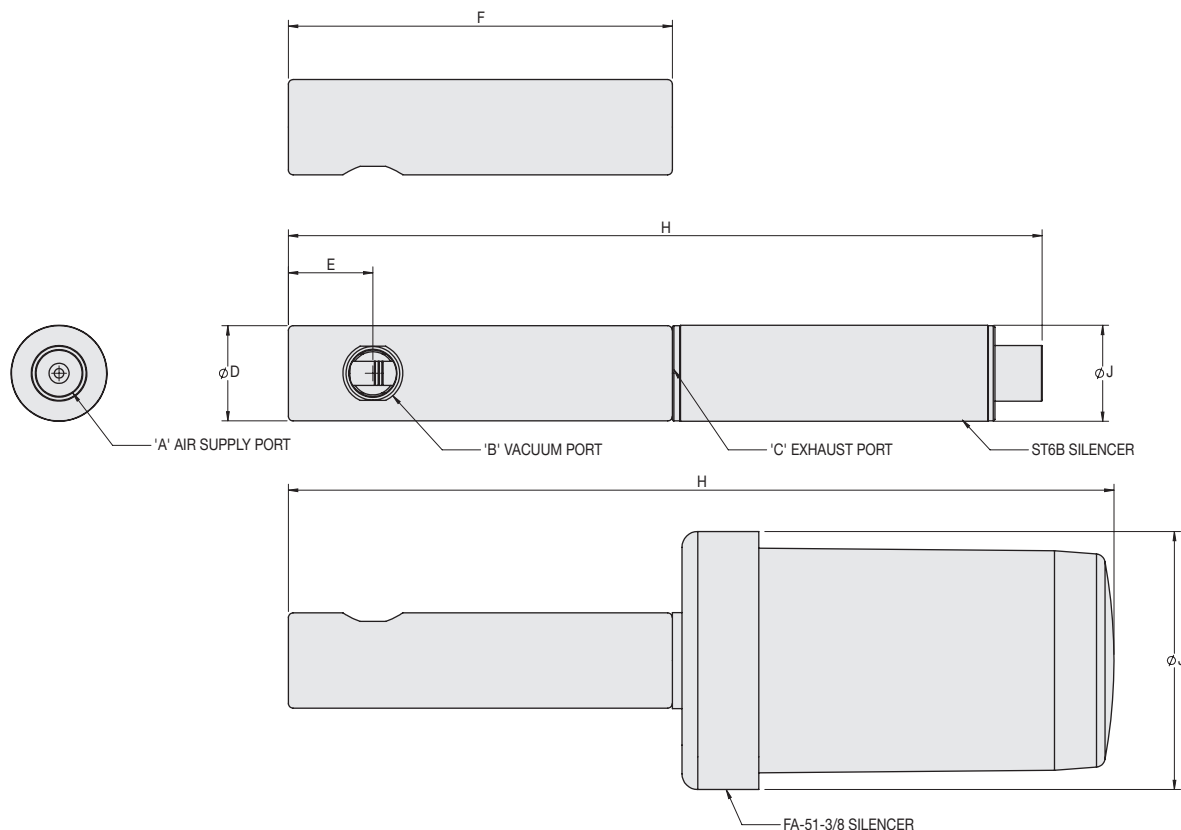


Standard Pump: J (F, D, S) – 300



Specifications:

Weight: 8.5 oz [241g]

Noise Level: *

12 oz [340g]

72 dB

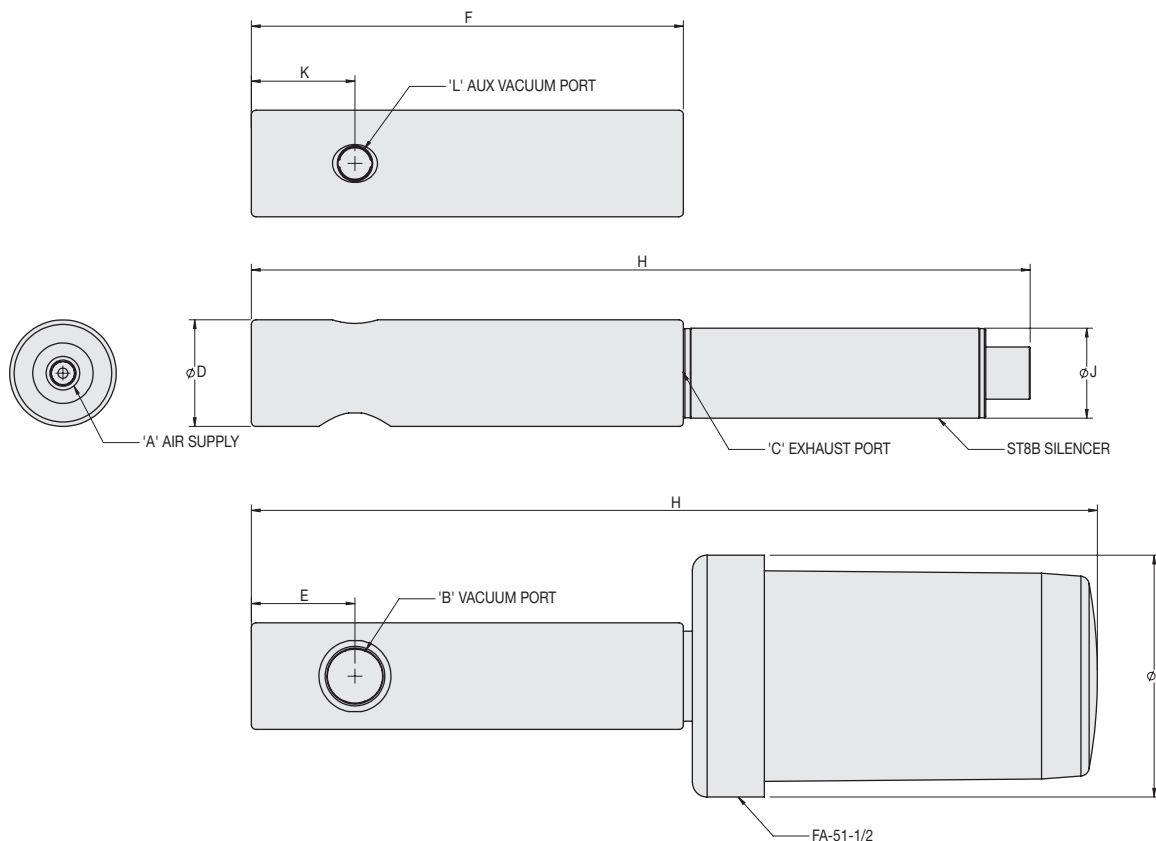
1 lb. 5 oz [598g]

72 dB

* Vaccon highly recommends the use of silencers on all vacuum pumps unless the exhaust is being plumbed away.

Model #	Imperial Dimensions (in.)							
	A	B	C	D	E	F	H	J
J (F, D, S)-300								
NONE							-	-
w/ ST6B	3/8 NPTF	3/8 NPTF	3/8 NPTF	1.25	1.10	5.00	9.81	1.25
W/ FA-51-3/8							10.74	3.36
Model #	Metric Dimensions (mm)							
	A	B	C	D	E	F	H	J
J (F, D, S)-300								
NONE							-	-
w/ ST6B	G 3/8	G 3/8	G 3/8	31.8	27.9	127.0	249.2	31.8
W/ FA-51-3/8							272.7	85.3

Standard Pump: J (F, D, S) – 350



JS-350



JS-350-ST8B



JD-350-FA-51-1/2

Specifications:

Weight: 15 oz [425g]

1 lb 2 oz [510g]

1 lb. 5 oz [598g]

Noise Level: *

76 dB

72 dB

* Vaccon highly recommends the use of silencers on all vacuum pumps unless the exhaust is being plumbed away.

Model #	Imperial Dimensions (in.)									
	A	B	C	D	E	F	H	J	K	L
J (F, D, S)-350										
NONE							-	-		
w/ ST8B	1/2 NPT F	1/2 NPT F	1/2 NPT F	1.50	1.44	6.00	10.82	1.25	1.44	1/4 NPT F
W/ FA-51-1/2							11.75	3.36		
Model #	Metric Dimensions (mm)									
	A	B	C	D	E	F	H	J	K	L
J (F, D, S)-350										
NONE							-	-		
w/ ST8B	G 1/2	G 1/2	G 1/2	31.8	36.5	152.4	274.7	31.8	36.5	G 1/4
W/ FA-51-1/2							298.5	85.3		