

Venturi Vacuum Cartridges – Push-In

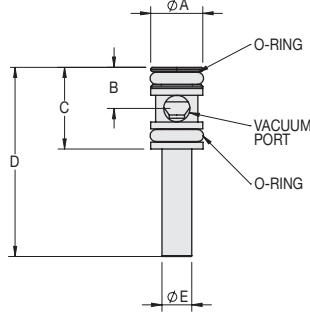
Min Series Push-In Venturi Cartridges: CM60 (M or H)



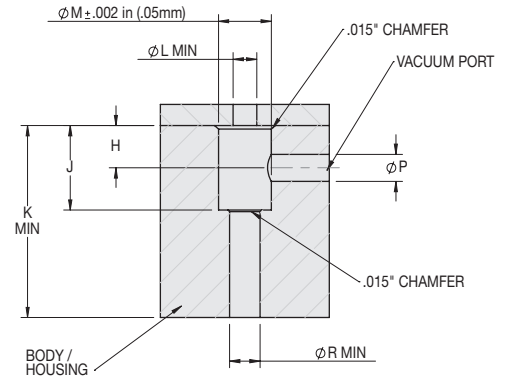
Part Number: **CM60H-PL**
 Standard Material: Nylon-Black
 Weight: 0.03 oz [0.8g]



Part Number: **CM60H**
 Optional Material: Brass
 Weight: 0.17 oz [4.7g]



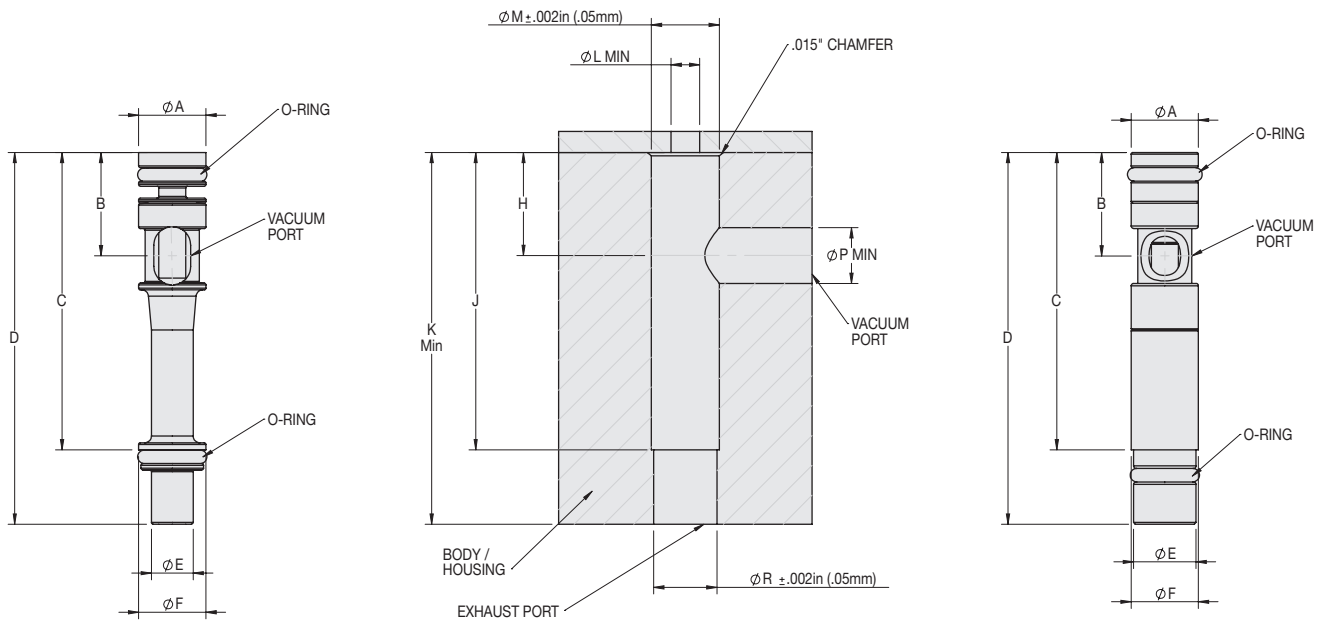
Min Series Cartridge dimensions are the same for nylon and brass



Min Series Cartridge housing

Model #	Imperial Dimensions (in.)											
	A	B	C	D	E	H	J	K	L	M	P	R
CM60 (M, H) -PL	0.312	0.25	0.49	1.13	0.17							
CM60 (M, H)	0.312	0.25	0.49	1.13	0.17							
Housing						0.25	.49	1.14	.16	.312	.16	0.18
Model #	Metric Dimensions (mm)											
	A	B	C	D	E	H	J	K	L	M	P	R
CM60 (M, H) -PL	7.92	6.2	12.3	28.6	4.3							
CM60 (M, H)	7.92	6.2	12.3	28.6	4.3							
Housing						6.4	12.7	29.0	4.1	7.9	4.1	4.6

Mid Series Push-In Venturi Cartridges C(60, 90, 100, 150) (L, M, H)



Cartridge housing for both nylon and metal cartridges

Part Number: C60, 90, 100, 150 (L, M, H) -PL

Standard Material: Nylon
Weight: 0.08 oz [2.3g]

Part Number: C60, 90, 100, 150 (L, M, H)

Optional Material: Aluminum/Brass
Weight: 0.47 oz [13.2g]

Model #	Imperial Dimensions (in.)												
	A	B	C	D	E	F	H	J	K	L	M	P	R
Nylon Cartridges - PL	0.402	0.61	1.76	2.20	0.25	0.402							
Metal Cartridges	0.402	0.61	1.76	2.20	0.37	0.402							
Housing							0.61	1.78	2.21	0.14	0.402	0.33	0.38
Model #	Metric Dimensions (mm)												
	A	B	C	D	E	F	H	J	K	L	M	P	R
Nylon Cartridges - PL	10.21	15.5	44.7	55.9	6.3	10.21							
Metal Cartridges	10.21	15.6	44.7	55.9	9.4	10.21							
Housing							15.5	45.1	56.1	3.6	10.21	8.3	9.65