

# Variable Vacuum/Variable Flow Pumps

## Standard Pump: VDF Series (100, 150, 200, 250, 375, 500, 750) with Optional ST Silencers



VDF 100, 150, 200



VDF 250



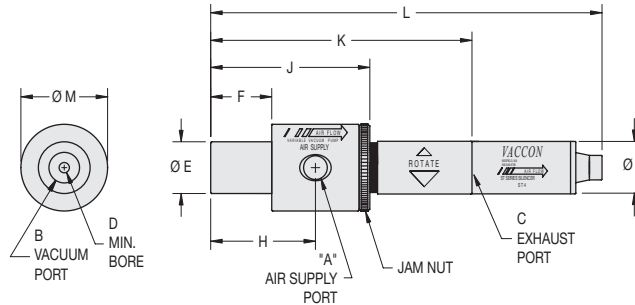
VDF 375



VDF 500



VDF 750



Vaccon strongly recommends the use of silencers on all pumps except where the exhaust is plumbed away.

Model #	VDF Series – Imperial Dimensions (in.)												
	A	B	C	D	E	F	H	J	K	L	M	N	Weight
VDF 100	1/8 NPT F	1/4 NPT F	1/4 NPT F	0.13	0.74	0.87	1.50	2.27	3.73		1.24		3.7 oz
VDF 100-ST4	1/8 NPT F	1/4 NPT F	1/4 NPT F	0.13	0.74	0.87	1.50	2.27	3.73	5.60	1.24	0.75	4.3 oz
VDF 150	1/8 NPT F	1/4 NPT F	1/4 NPT F	0.15	0.74	0.87	1.50	2.27	3.73		1.24		3.7 oz
VDF 150-ST4	1/8 NPT F	1/4 NPT F	1/4 NPT F	0.15	0.74	0.87	1.50	2.27	3.73	5.60	1.24	0.75	4.3 oz
VDF 200	1/8 NPT F	1/4 NPT F	1/4 NPT F	0.19	0.74	0.87	1.50	2.27	3.73		1.24		3.7 oz
VDF 200-ST4	1/8 NPT F	1/4 NPT F	1/4 NPT F	0.19	0.74	0.87	1.50	2.27	3.73	5.60	1.24	0.75	4.3 oz
VDF 250	1/8 NPT F	1/4 NPT F	1/4 NPT F	0.27	0.74	0.87	1.50	2.27	3.73		1.24		3.6 oz
VDF 250-ST4A2	1/8 NPT F	1/4 NPT F	1/4 NPT F	0.27	0.74	0.87	1.50	2.27	3.73	6.29	1.24	1.00	5.0 oz
VDF 375	3/8 NPT F	1/2 NPT F	1/2 NPT F	0.38	0.99	1.50	2.37	3.45	6.04		1.74		9.7 oz
VDF 375-ST8B	3/8 NPT F	1/2 NPT F	1/2 NPT F	0.38	0.99	1.50	2.37	3.45	6.04	10.84	1.74	1.25	12.7 oz
VDF 500	3/8 NPT F	1/2 NPT F	3/4 NPT F	0.50	1.24	1.50	2.50	3.70	6.06		1.97		14.3 oz
VDF 500-ST12C	3/8 NPT F	1/2 NPT F	3/4 NPT F	0.50	1.24	1.50	2.50	3.70	6.06	13.00	1.97	2.00	1 lb 6 oz
VDF 750	1/2 NPT F	3/4 NPT F	1 NPT F	0.75	1.49	1.50	2.50	3.70	6.95		2.22		1 lb 3 oz
VDF 750-ST16C	1/2 NPT F	3/4 NPT F	1 NPT F	0.75	1.49	1.50	2.50	3.70	6.95	13.88	2.22	2.00	1 lb 11 oz

Model #	VDF Series – Metric Dimensions (mm.)												
	A	B	C	D	E	F	H	J	K	L	M	N	Weight
I-VDF 100	G 1/8	G 1/4	G 1/4	3.2	18.8	22.1	38.1	57.7	94.7		31.5		105 g
I-VDF 100-ST4	G 1/8	G 1/4	G 1/4	3.2	18.8	22.1	38.1	57.7	94.7	142.2	31.5	19.1	122 g
I-VDF 150	G 1/8	G 1/4	G 1/4	3.7	18.8	22.1	38.1	57.7	94.7		31.5		105 g
I-VDF 150-ST4	G 1/8	G 1/4	G 1/4	3.7	18.8	22.1	38.1	57.7	94.7	142.2	31.5	19.1	122 g
I-VDF 200	G 1/8	G 1/4	G 1/4	4.8	18.8	22.1	38.1	57.7	94.7		31.5		105 g
I-VDF 200-ST4	G 1/8	G 1/4	G 1/4	4.8	18.8	22.1	38.1	57.7	94.7	142.2	31.5	19.1	122 g
I-VDF 250	G 1/8	G 1/4	G 1/4	6.7	18.8	22.1	38.1	57.7	94.7		31.5		102 g
I-VDF 250-ST4A2	G 1/8	G 1/4	G 1/4	6.7	18.8	22.1	38.1	57.7	94.7	159.8	31.5	25.4	142 g
I-VDF 375	G 3/8	G 1/2	G 1/2	9.5	25.1	38.1	60.2	87.6	153.4		44.2		275 g
I-VDF 375-ST8B	G 3/8	G 1/2	G 1/2	9.5	25.1	38.1	60.2	87.6	153.4	275.3	44.2	31.8	360 g
I-VDF 500	G 3/8	G 1/2	G 3/4	12.7	31.5	38.1	63.5	94.0	153.9		50.0		405 g
I-VDF 500-ST12C	G 3/8	G 1/2	G 3/4	12.7	31.5	38.1	63.5	94.0	153.9	330.2	50.0	50.8	618 g
I-VDF 750	G 1/2	G 3/4	G 1	19.1	37.8	38.1	63.5	94.0	176.5		56.4		544 g
I-VDF 750-ST16C	G 1/2	G 3/4	G 1	19.1	37.8	38.1	63.5	94.0	176.5	352.6	56.4	50.8	763 g