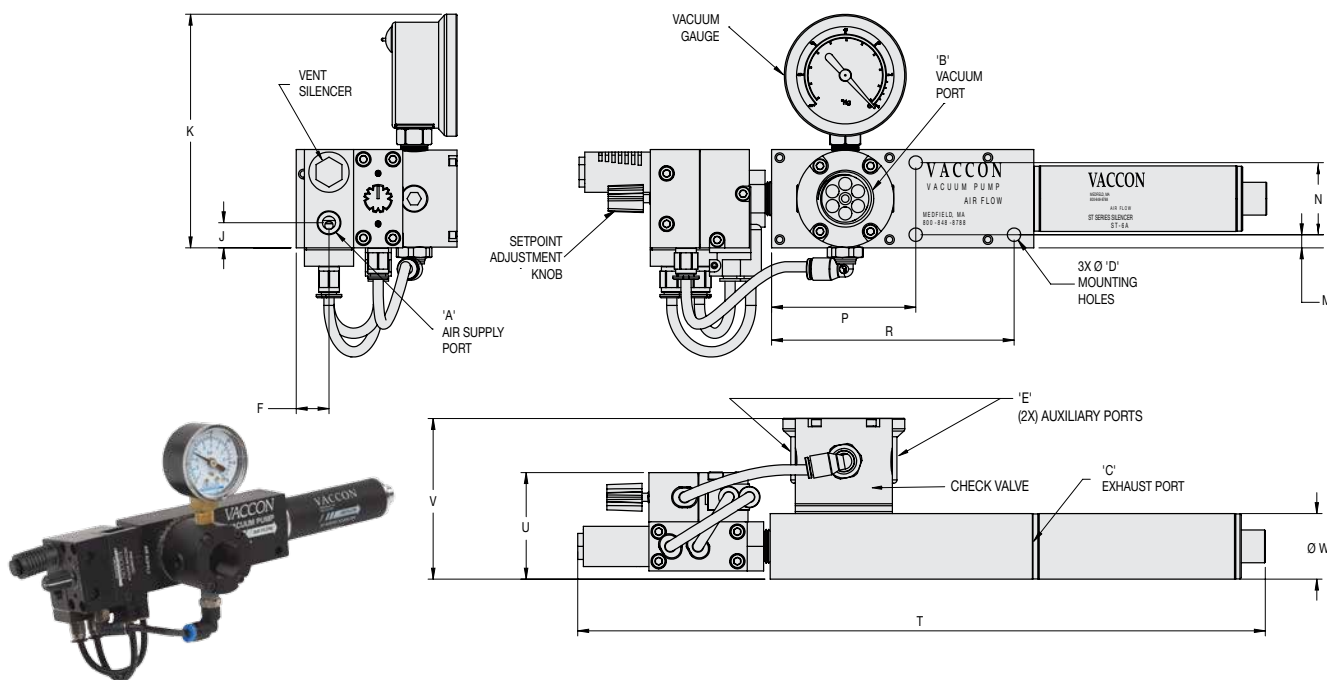


VP80-200 (M, H)-AS Pump



Specifications: *VP80-200H-AS*

Weight: 1 lb 5 oz [595g]

Noise Level: 72 dB

Model #	Imperial Dimensions (in.)															
VP80-200-AS	A	B	C	D	E	F	J	K	M	N	P	R	T	U	V	W
	1/8 NPT F	1/2 NPT F	3/8 NPT F	0.21	1/8 NPT F	0.50	0.34	3.49	0.20	1.30	2.20	3.70	10.41	1.60	2.30	1.00
Model #	Metric Dimensions (mm)															
I-VP80-200-AS	A	B	C	D	E	F	J	K	M	N	P	R	T	U	V	W
	G 1/8	G 1/2	G 3/8	5.2	G 1/8	12.7	8.6	88.6	5.1	33.0	55.9	94.0	264.5	40.6	58.4	25.4

Air Saver Pump Standard Specifications:

Pump Body Material: Anodized Aluminum (For silencer material, see page 13.5)

Cartridge Material: VP80's & 90's – Aluminum

Medium: Filtered (100 Micron) unlubricated, non-corrosive dry gases

Operating Temperature: -30° to ~250° F [-34° to ~121°C]

Operating Pressure: 80 PSI [5.5 bar] standard or 60 PSI [4.1 bar] – Consult Factory for other operating pressures

Air Saver Operating and Installation Requirements:

Supply Line & Vacuum Line: **VP80-200:** 3/8" O.D. [10mm] tube preferred
VP80-250: 1/2" O.D. [12mm] tube preferred

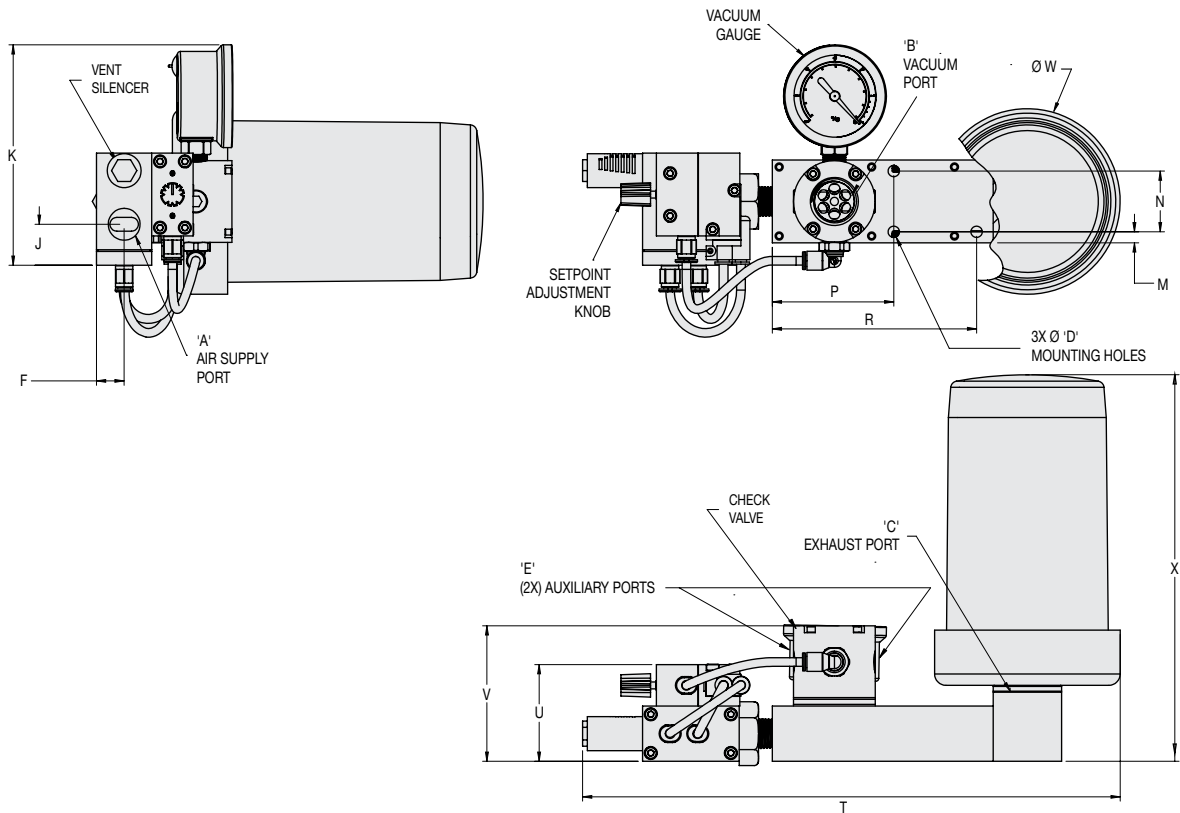
VP90-300 & 350:
 minimum 1/2" O.D. [12mm] tube preferred

Vacuum Line Filtration: Typically vacuum filters are not required. If desired, Vaccon recommends (see page 13.12):

VP80-200 & 250: VF375F
VP90-300 & 350: VF500F

Mounting Holes: Mounting holes accept 10-32 [M5] screws

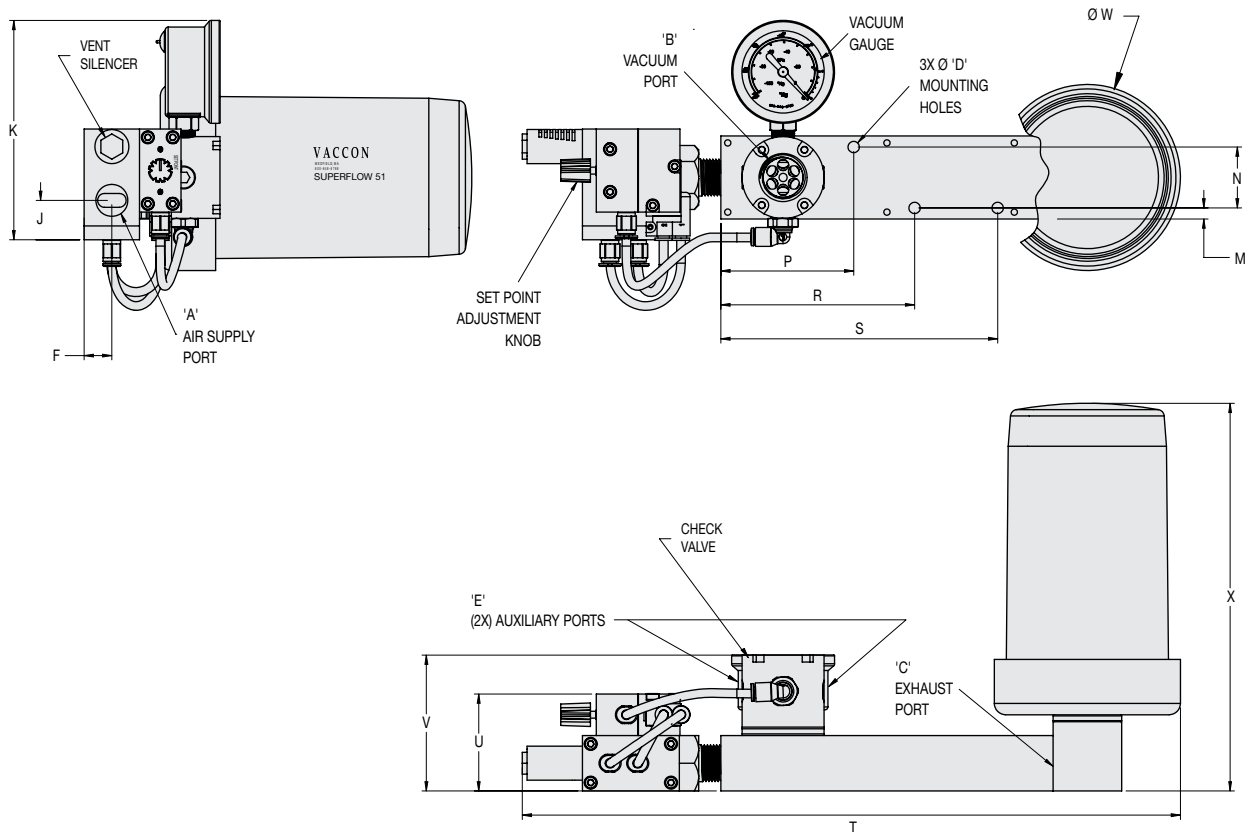
Standard VP80-250 (M, H)-AS Pump



Specifications: **VP80-250H-AS**
 Weight: 2 lb 4 oz [1021g]
 Noise Level: 73 dB

Model #	Imperial Dimensions (in.)																
VP80-250-AS	A	B	C	D	E	F	J	K	M	N	P	R	T	U	V	W	X
	3/8 NPT F	1/2 NPT F	1/2 NPT F	0.21	1/8 NPT F	0.50	0.74	3.90	0.20	1.30	2.20	3.70	9.20	1.72	2.30	3.23	7.00
Model #	Metric Dimensions (mm)																
I-VP80-250-AS	A	B	C	D	E	F	J	K	M	N	P	R	T	U	V	W	X
	G 3/8	G 1/2	G 1/2	5.3	G 1/8	12.7	18.9	99.0	5.1	33.0	55.9	94.0	233.7	43.7	58.4	82.0	177.8

Standard: VP90-300 or 350 (M, H)-AS Pump



Specifications: VP90-350H-AS

Weight: 2 lb 9 oz [1162g]

Noise Level: 73 dB

Model #	Imperial Dimensions (in.)																	
	A	B	C	D	E	F	J	K	M	N	P	R	S	T	U	V	W	X
VP90-300/350-AS	3/8 NPT F	1/2 NPT F	1/2 NPT F	0.21	1/8 NPT F	0.50	0.74	3.90	0.20	1.30	2.40	3.50	5.00	11.20	1.72	2.30	3.23	7.00
Model #	Metric Dimensions (mm)																	
	A	B	C	D	E	F	J	K	M	N	P	R	S	T	U	V	W	X
I-VP90-300/350-AS	G 3/8	G 1/2	G 1/2	5.3	G 1/8	12.7	18.9	99.0	5.1	33.0	61.0	88.9	127.0	284.5	43.7	58.4	82.0	177.8