

Modular Venturi Vacuum Pumps – Min Series

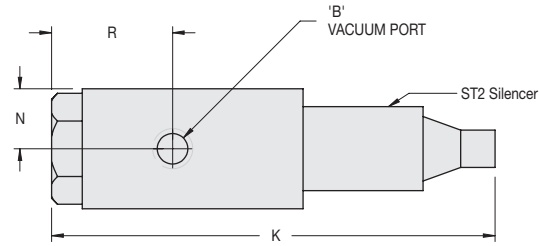
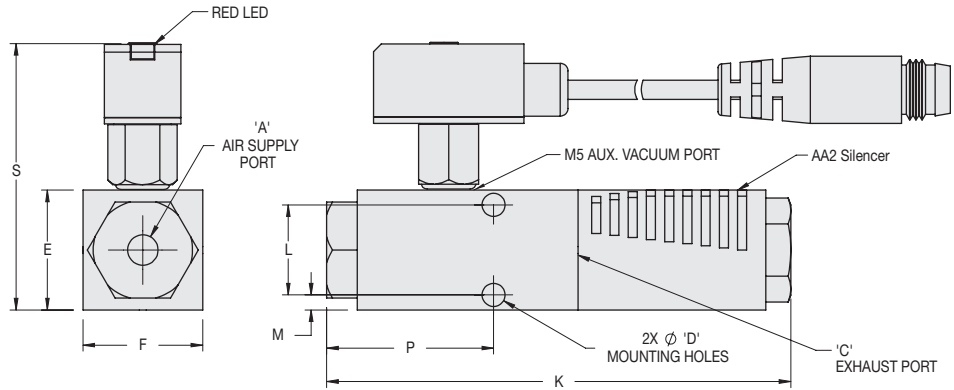
Standard Pump: VP00-60 (M or H)



VP00-60H



VP00-60H-ST2



Specifications:

Weight: 0.86 oz [24.3g]
Noise Level: 58dB

Model #	Imperial Dimensions (in.)												
VP00	A	B	C	D	E	F	K	L	M	N	P	R	S
w/AA2	10-32	10-32	1/8 NPT F	0.12	0.62	0.62	2.42	0.47	0.08	0.31	0.89	0.63	1.36
w/ST2							2.31						
Model #	Metric Dimensions (mm)												
I-VP00	A	B	C	D	E	F	K	L	M	N	P	R	S
w/AA2	M5	M5	G 1/8	3.0	15.75	15.75	61.468	11.94	2.03	7.87	22.60	16.00	34.53
w/ST2							58.674						