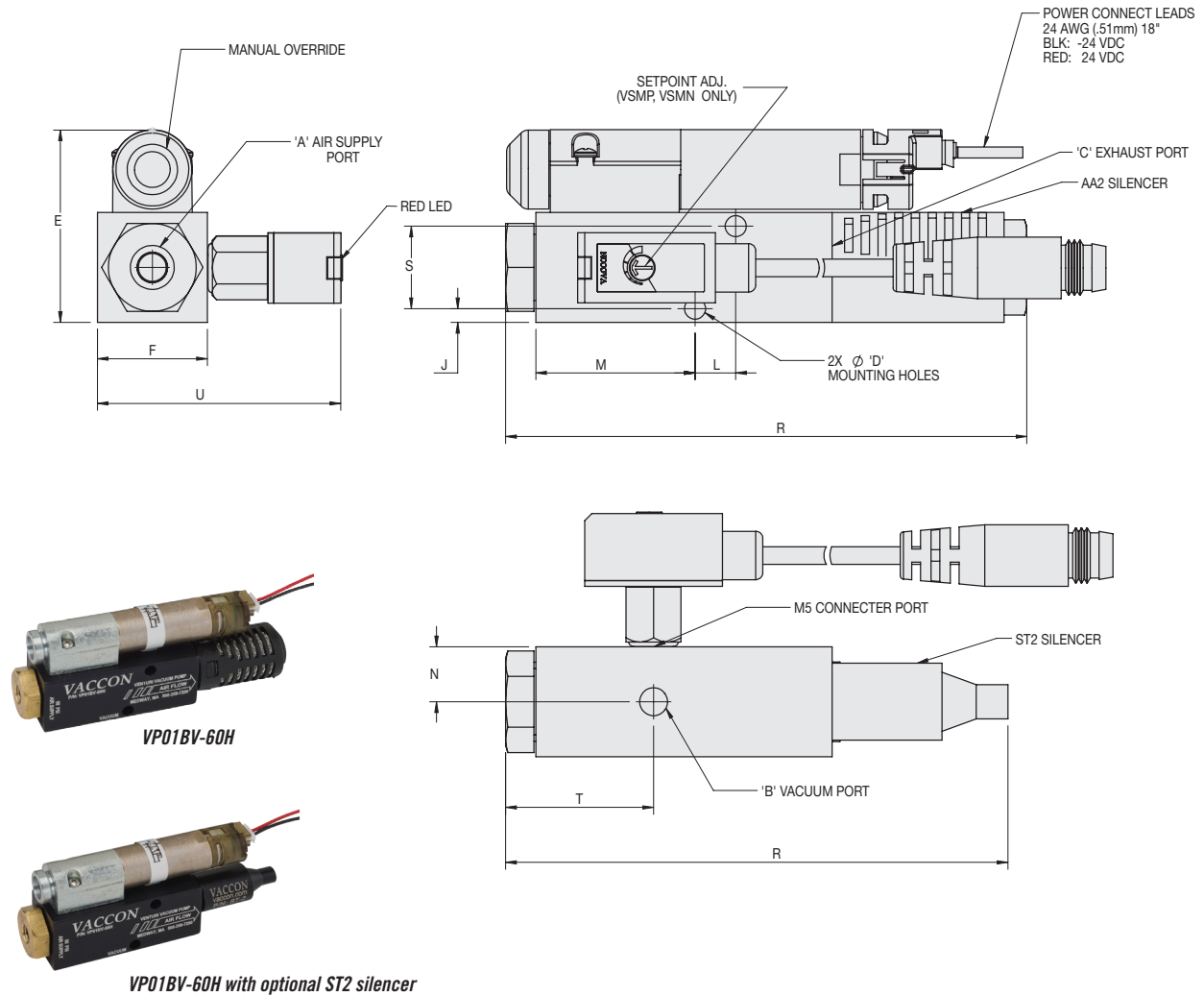


# Modular Venturi Vacuum Pumps w/ Integral Solenoid Valve – Min Series

## Standard Pump: VP01BV-60 (M or H)



### Specifications:

Weight: 2.50 oz [71.0g]  
Noise Level: 58 dB

Model #	Imperial Dimensions (in.)													
VP01BV	A	B	C	D	E	F	J	L	M	N	R	S	T	U
w AA2	10-32 F	10-32 F	1/8F NPT	0.12	1.09	0.63	0.08	0.23	0.91	0.31	2.96	0.47	0.84	1.37
w ST2											2.86			
w VSMP-QD-6/ VTMV-QD-6											N/A			
Model #	Metric Dimensions (mm)													
I-VP01BV	A	B	C	D	E	F	J	L	M	N	R	S	T	U
w AA2	M5	M5	G1/8	3.05	27.69	16.00	2.03	5.84	23.11	7.87	75.18	11.94	21.34	34.79
w ST2											72.64			
w VSMP-QD-6/ VTMV-QD-6											N/A			