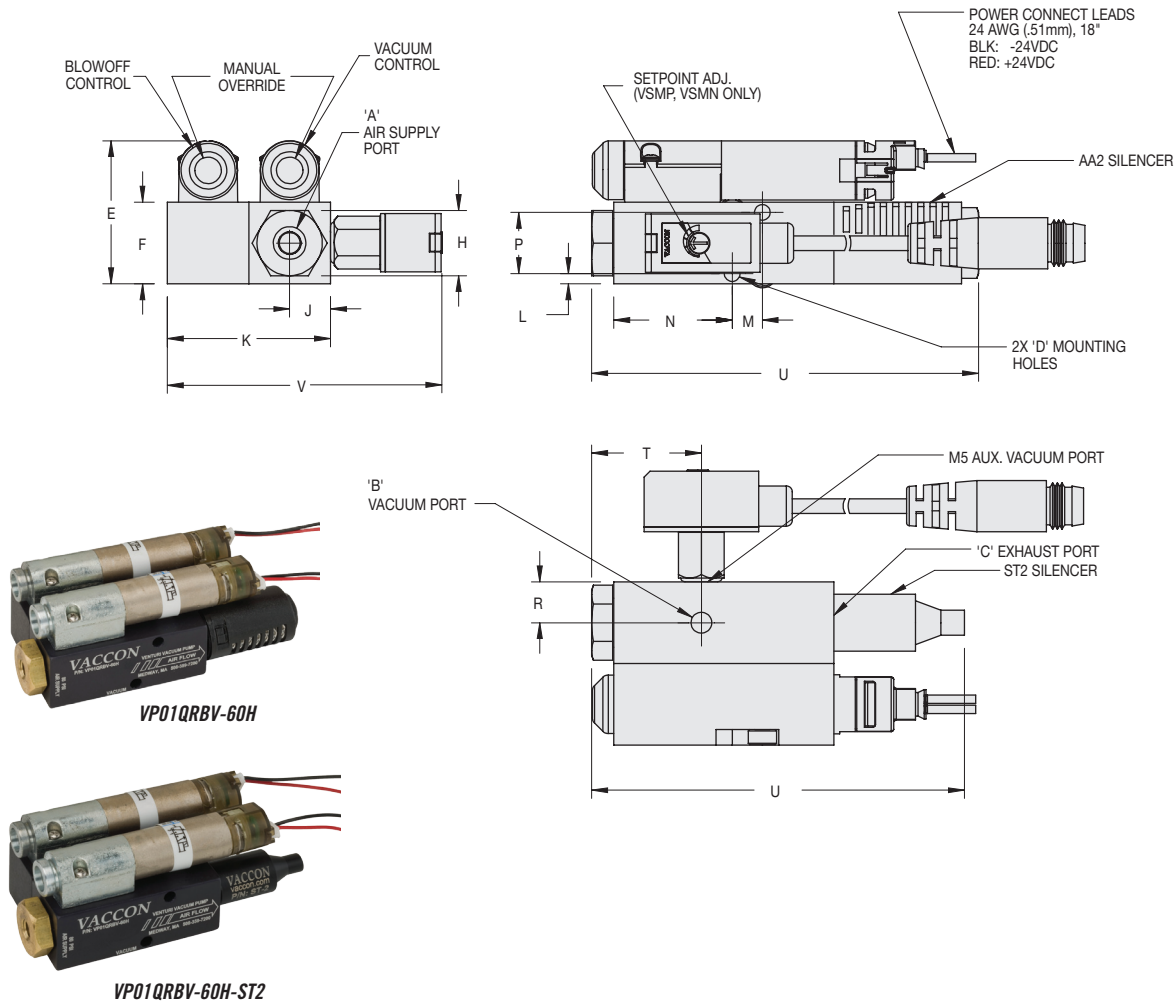


Modular Venturi Vacuum Pumps w/ Solenoid Operated Vacuum & Blow-off – Min Series

Standard Pump: VP01QRBV-60 (M or H)



Specifications:

Weight: 4.59 oz [130.0g]
 Noise Level: 58 dB

Model #	Imperial Dimensions (in.)																	
VP01QRBV	A	B	C	D	E	F	H	J	K	L	M	N	P	R	S	T	U	V
W AA2	10-32	10-32	1/8 NPT F	0.12	1.10	0.63	0.50	0.31	1.25	0.08	0.23	0.91	0.47	0.31	0.17	0.84	2.96	1.99
w VSMP-QD-6/ VTMV-QD-6																	2.86	
																	N/A	
Model #	Metric Dimensions (mm)																	
I-VP01QRBV	A	B	C	D	E	F	H	J	K	L	M	N	P	R	S	T	U	V
W AA2	M5	M5	G 1/8	3.05	27.94	16.00	12.70	7.87	31.75	2.03	5.84	23.01	11.94	7.87	4.32	21.34	75.18	50.43
W ST2																	72.64	
w VSMP-QD-6/ VTMV-QD-6																	N/A	