

Modular Venturi Vacuum Pumps w/ Pneumatic Blow-Off – Mid Series

Standard: VP1X - (60, 90, 100, 150) (L, M or H) (-ADJ) Pump



VP1X-90H-ADJ with AA4

Specifications:

Weight: 5.7 oz [162g]
Noise Level: 64 dB



VP1X-60M with ST4

Specifications:

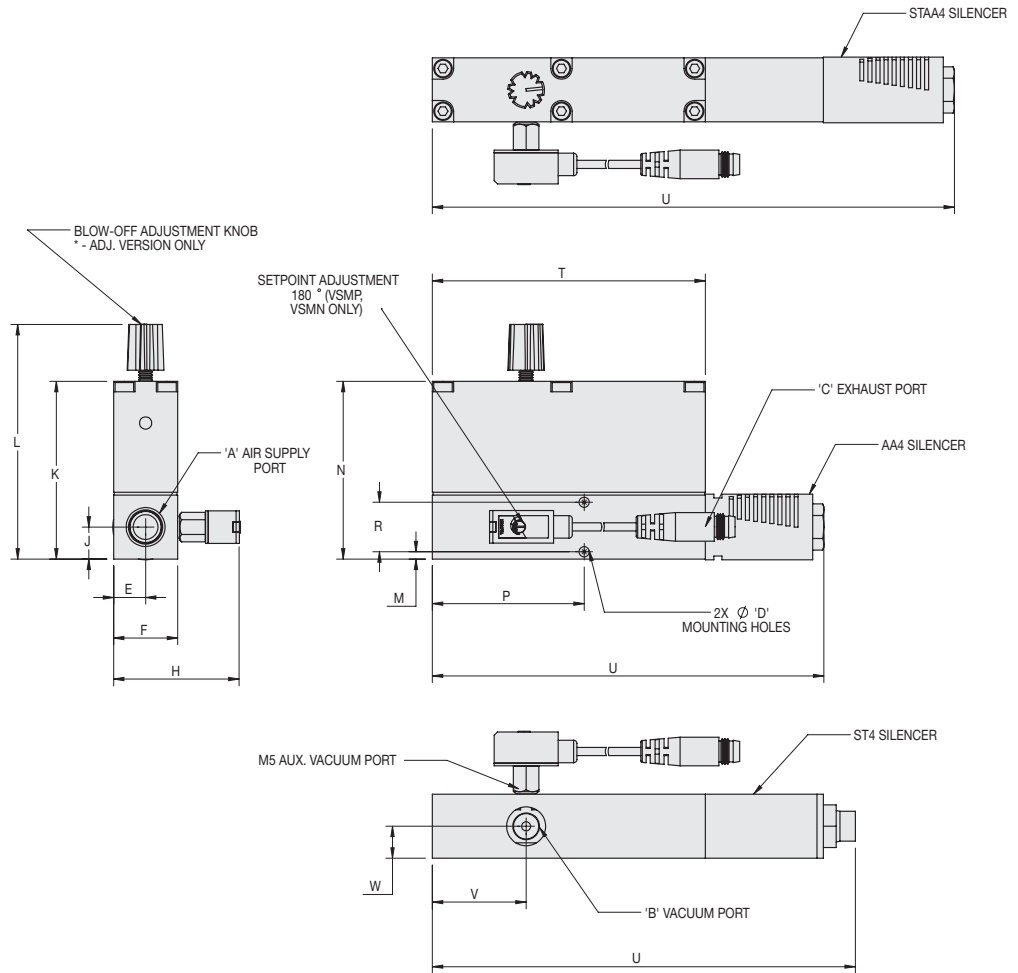
Weight: 5.8 oz [162g]
Noise Level: 66 dB



VP1X-100M-ADJ with STAA4

Specifications:

Weight: 6.0 oz [162g]
Noise Level: 58 dB



Model #	Imperial Dimensions (in.)																	
VP1X (ADJ)	A	B	C	D	E	F	H	J	K	L*	M	N	P	R	T	U	V	W
w/AA4	1/4 NPT F	1/8 NPT F	1/4 NPT F	0.12	0.38	0.75	1.49	0.38	2.08	2.75	0.09	2.08	1.78	.58	3.20	6.18	1.10	0.38
w/ST4																4.60		
w/STAA4																5.06		
Model #	Metric Dimensions (mm)																	
I- VP1X (ADJ)	A	B	C	D	E	F	H	J	K	L*	M	N	P	R	T	U	V	W
w/AA4	G 1/4	G 1/8	G 1/4	3.05	9.65	19.05	37.83	9.53	52.83	69.85	2.29	52.83	45.21	14.73	81.28	156.97	27.94	9.53
w/ST4																116.84		
w/STAA4																128.52		

*-ADJ Version Only