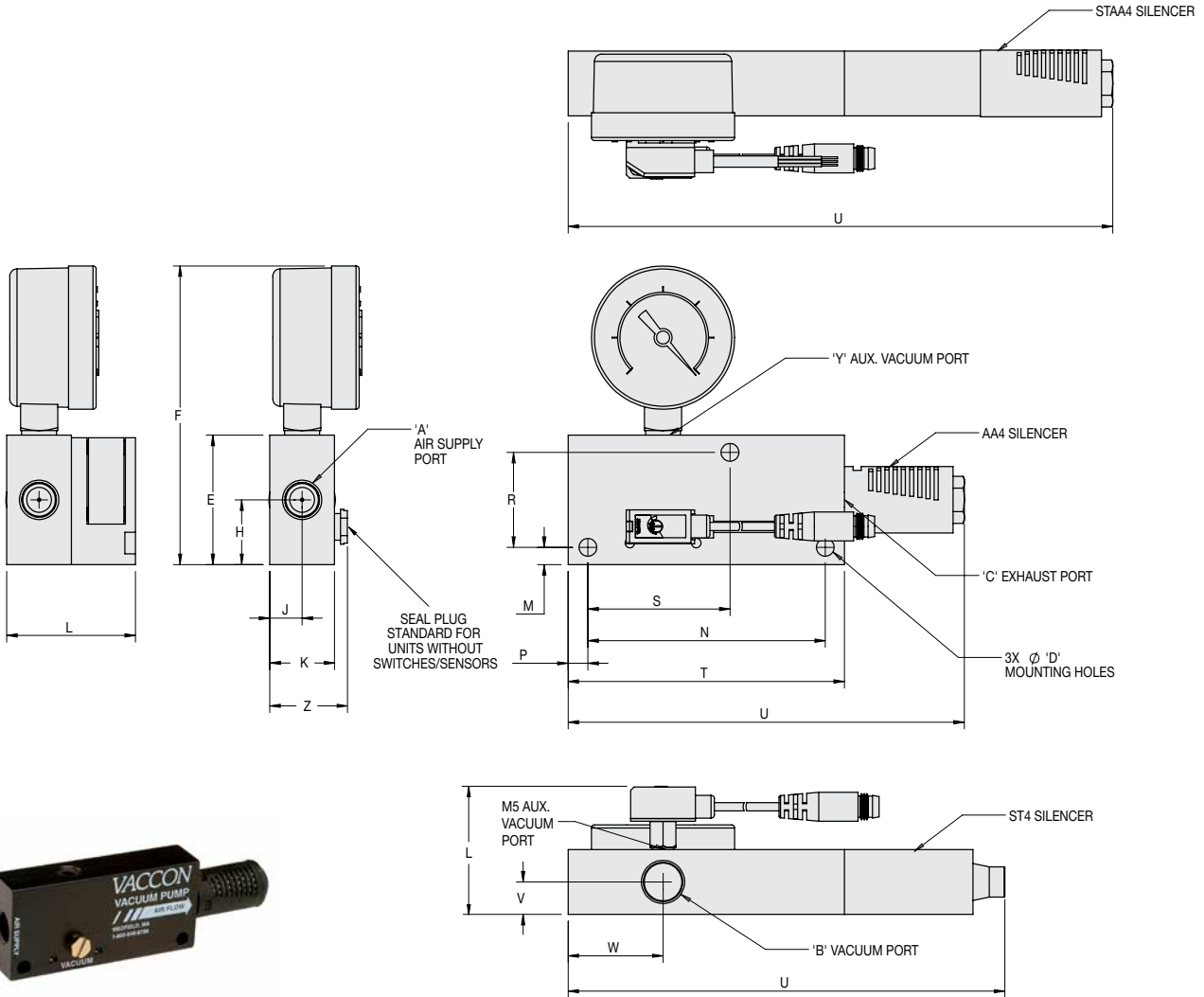


Modular Venturi Vacuum Pumps w/ Optional Solenoid Valve – Mid Series

Standard Pump: VP20 - (60, 90, 100, 150) (L, M, H)



Specifications: **VP20-90H (AA4)**

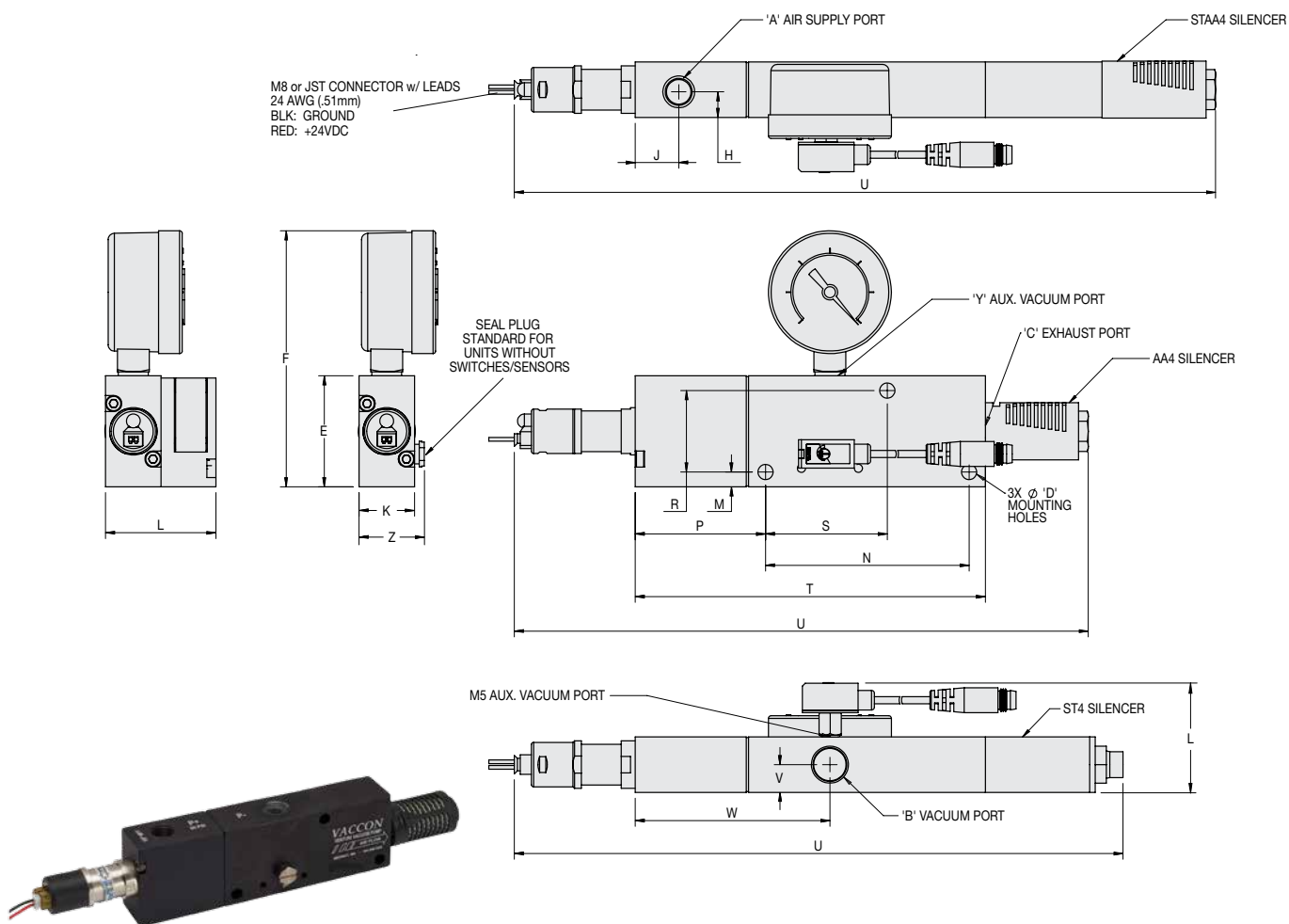
Weight: 5.1 oz [146g]

Noise Level: 64dB

Model #	Imperial Dimensions (in.)																				
VP20 w/	A	B	C	D	E	F	H	J	K	L	M	N	P	R	S	T	U	V	W	Y	Z
AA4	1/4 NPT F	1/4 NPT F	1/4 NPT F	0.21	1.50	3.46	0.75	0.38	0.75	N/A	0.20	2.75	0.23	1.10	1.65	3.20	4.59	0.38	1.10	1/8 NPT F	0.92
ST4										N/A							5.06				
STAA4										N/A							6.31				
VSMN(P)-QD-6, VTMV-QD-6, SX5										1.49							N/A				
Model #	Metric Dimensions (mm)																				
I- VP20 w/	A	B	C	D	E	F	H	J	K	L	M	N	P	R	S	T	U	V	W	Y	Z
AA4	G 1/4	G 1/4	G 1/4	5.33	38.10	87.88	19.05	9.53	19.05	N/A	5.08	69.85	5.84	27.94	41.91	81.28	116.59	9.53	27.94	G 1/8	23.24
ST4										N/A							128.52				
STAA4										N/A							160.27				
VSMN(P)-QD-6, VTMV-QD-6, SX5										37.85							N/A				

Modular Venturi Vacuum Pumps w/ Optional Solenoid Valve – Mid Series

Standard Pump: VP20BV - (60, 90, 100, 150) (L, M, H)



Specifications: **VP20BV-90H (AA4)**

Weight: 8.1 oz [229.6g]

Noise Level: 64dB

Model #	Imperial Dimensions (in.)																					
VP20BV/M8 w/	A	B	C	D	E	F	H	J	K	L	M	N	P	R	S	T	U	V	W	Y	Z	
AA4	1/8 NPT F	1/4 NPT F	1/4 NPT F	0.21	1.50	3.46	.38	0.59	0.75	N/A	0.20	2.75	1.76	1.10	1.65	4.73	7.75	0.38	2.63	1/8 NPT F	0.92	
ST4										N/A							8.22					
STAA4										N/A							9.47					
VSMN(P)-QD-6, VTMV-QD-6, SX5										1.49							N/A					N/A
Model #	Metric Dimensions (mm)																					
I-VP20BV/M8 w/	A	B	C	D	E	F	H	J	K	L	M	N	P	R	S	T	U	V	W	Y	Z	
AA4	G 1/8	G 1/4	G 1/4	5.33	38.10	87.88	9.65	14.94	19.05	N/A	5.08	69.85	5.84	27.94	41.91	81.28	196.85	9.53	66.80	G 1/8	23.24	
ST4										N/A							208.79					
STAA4										N/A							240.54					
VSMN(P)-QD-6, VTMV-QD-6, SX5										37.85							N/A					N/A