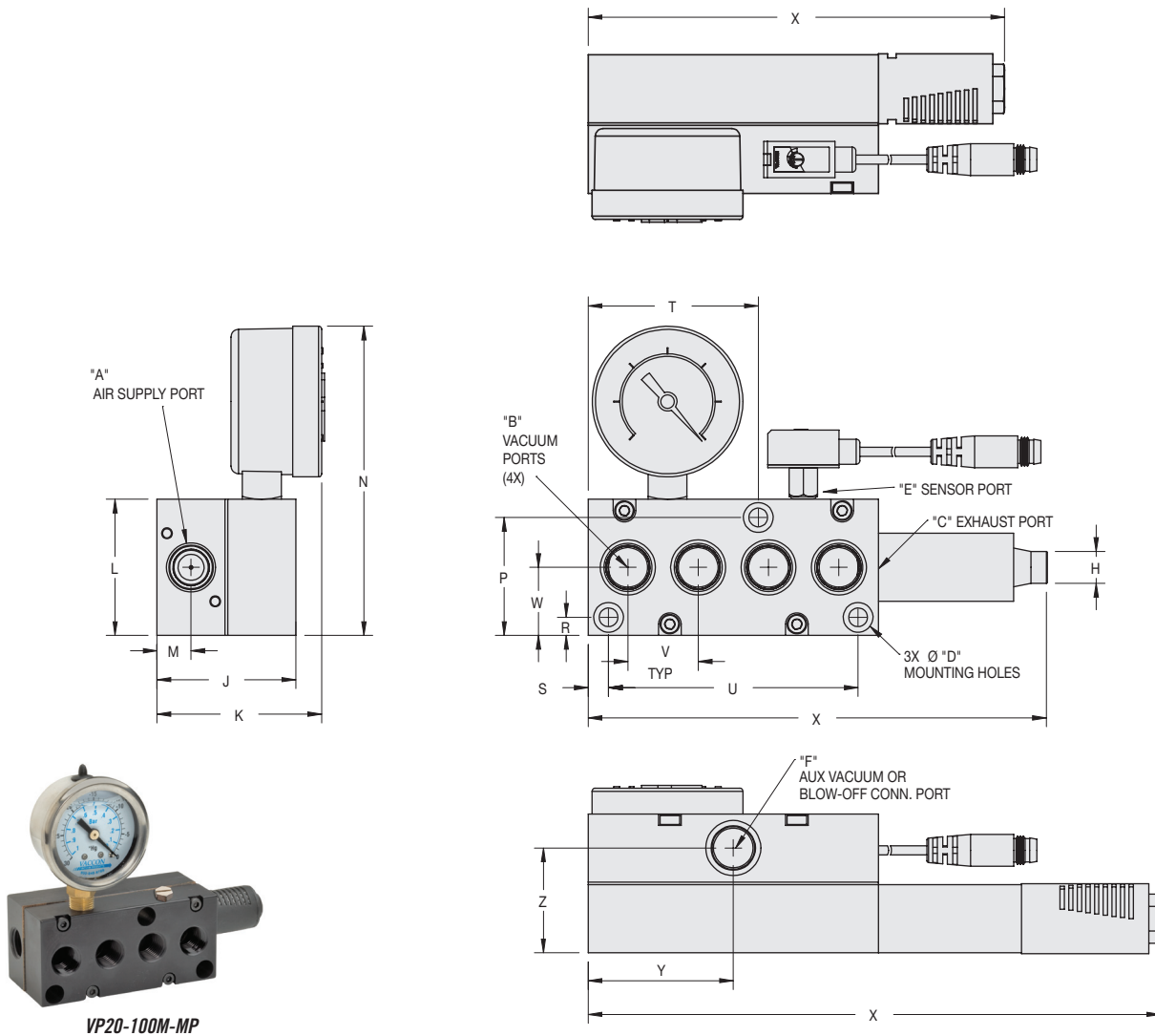


Multi-port Venturi Vacuum Pumps w/ Optional Solenoid Valve – Mid Series

Standard Pump: VP20- (60, 90, 100, 150) (L, M, H) - MP



Specifications: Standard VP20-90H-MP

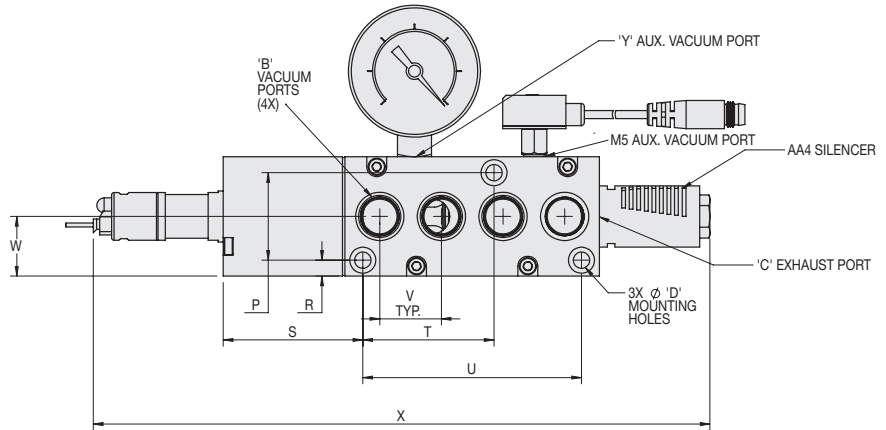
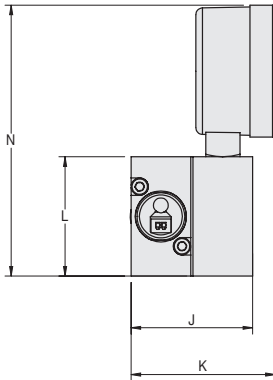
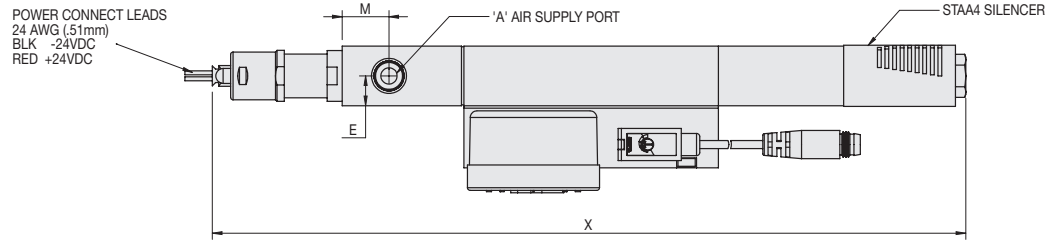
Weight: 12oz [340g]

Noise Level: 64 dB

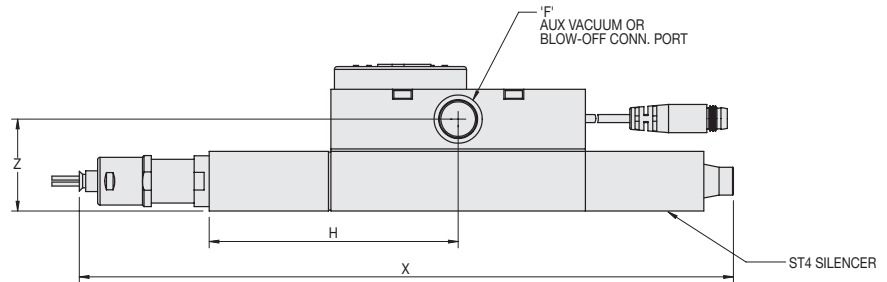
Model #	Imperial Dimensions (in.)																					
VP20-MP	A	B	C	D	E	F	H	J	K	L	M	N	P	R	S	T	U	V	W	X	Y	Z
w/AA4	1/4 NPT F	1/4 NPT F	1/4 NPT F	0.21	10-32	1/4 NPT F	N/A	1.53	1.82	1.50	0.38	3.40	1.30	0.20	0.23	1.90	2.75	0.78	0.75	4.59	1.60	1.16
w/ST4							0.35													5.05		
w/STAA4							N/A													6.31		
Model #	Metric Dimensions (mm)																					
I-VP20-MP	A	B	C	D	E	F	H	J	K	L	M	N	P	R	S	T	U	V	W	X	Y	Z
w/AA4	G 1/4	G 1/4	G 1/4	5.3	M5	G 1/4	N/A	38.9	46.2	38.1	9.7	86.4	33.0	5.1	5.8	48.2	69.9	19.8	19.1	116.6	40.6	29.5
w/ST4							8.9													128.3		
w/STAA4							N/A													160.3		

Multi-port Venturi Vacuum Pumps w/ Optional Solenoid Valve – Mid Series

Standard Pump: VP20BV- (60, 90, 100, 150) (L, M, H) - MP



VP20BV-90H-MP



Specifications: Standard VP20BV-90H-MP

Weight: 16.1oz [456.4g]
 Noise Level: 64 dB

Model #	Imperial Dimensions (in.)																							
VP20BV-MP	A	B	C	D	E	F	H	J	K	L	M	N	P	R	S	T	U	V	W	X	Y	Z		
w/AA4	1/8	1/4	1/4	0.20	0.38	1/4	3.13	1.53	1.82	1.50	0.59	3.41	1.10	0.20	1.76	1.65	2.75	0.78	0.75	7.75	1/8 NPT	1.13		
w/ST4	NPT F	NPT F	NPT F			NPT F														8.22				
w/STAA4																				9.47				
Model #	Metric Dimensions (mm)																							
I-VP20BV-MP	A	B	C	D	E	F	H	J	K	L	M	N	P	R	S	T	U	V	W	X	Y	Z		
w/AA4																				196.85	G 1/8	28.70		
w/ST4	G 1/8	G 1/4	G 1/4	5.1	9.65	G 1/4	79.50	38.86	46.23	38.10	14.97	86.61	27.94	5.08	44.70	41.91	69.85	19.69	19.05	208.79				
w/STAA4																				240.54				