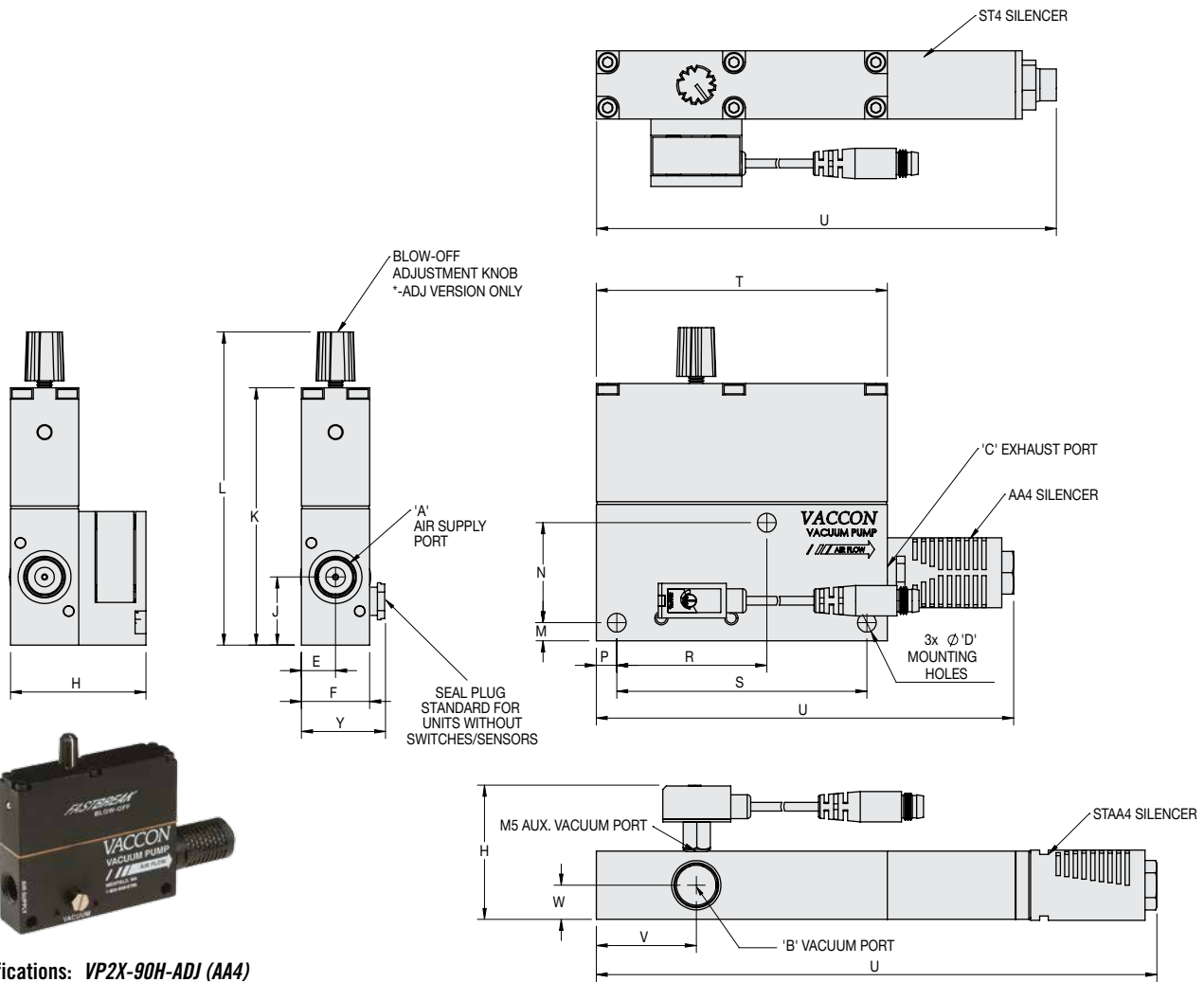


Modular Venturi Vacuum Pumps w/ Pneumatic Blow-Off – Mid Series

Standard Pump: VP2X-(60, 90, 150) (L, M or H) (-ADJ)



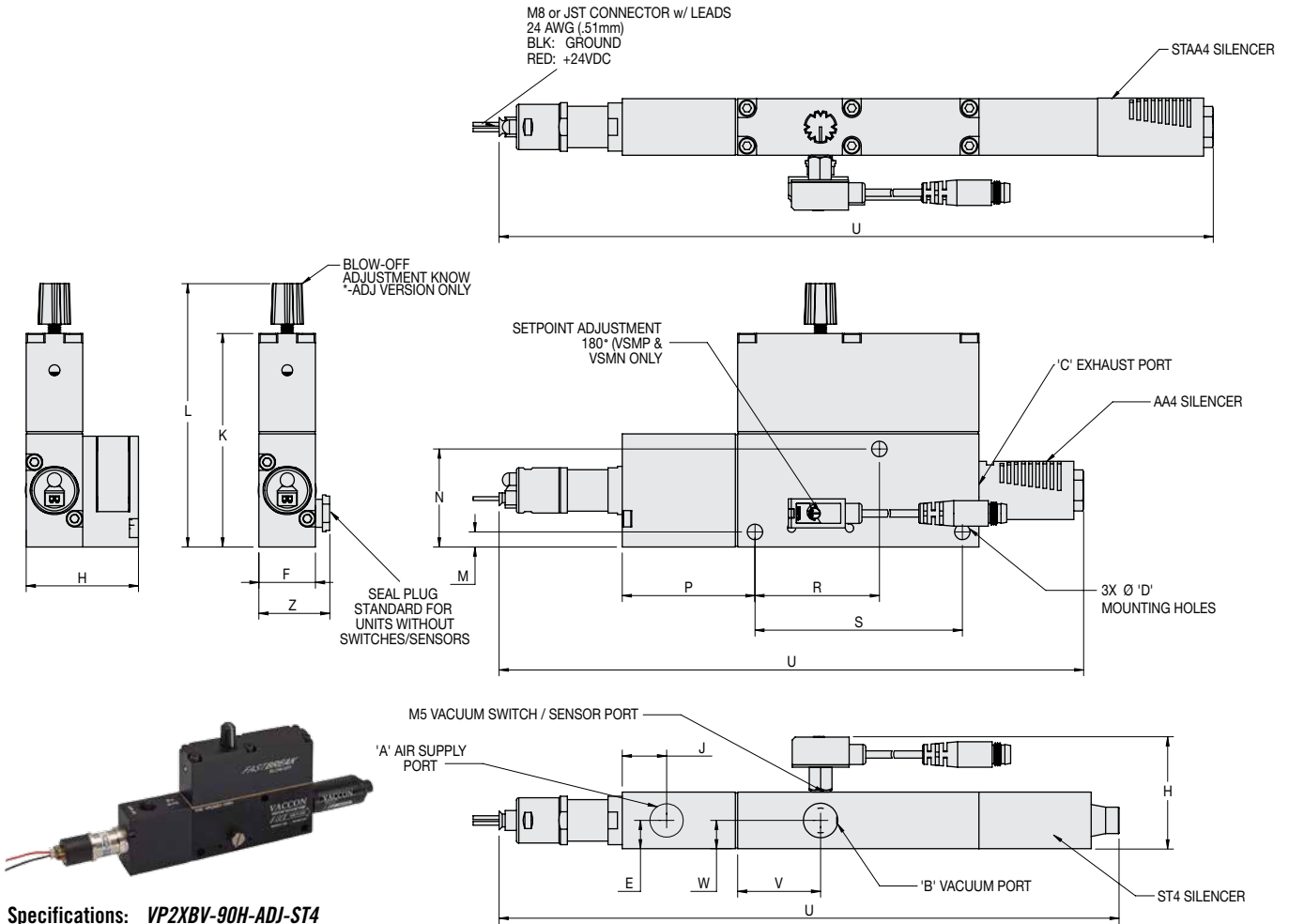
Specifications: **VP2X-90H-ADJ (AA4)**

Weight: 8.4 oz [238g]
 Noise Level: 64 dB

Model #	Imperial Dimensions (in.)																			
VP2X (ADJ) w/	A	B	C	D	E	F	H	J	K	L	M	N	P	R	S	T	U	V	W	Y
STAA4	1/4 NPT F	1/4 NPT F	1/4 NPT F	0.21	0.38	0.75	N/A	0.75	2.83	3.49	0.20	1.10	0.23	1.65	2.75	3.20	6.31	1.10	0.375	0.92
AA4							N/A										4.59			
ST4							N/A										5.06			
VSMN(P)-QD-6, VTMV-QD-6, SX-5						1.49											N/A			N/A
Model #	Metric Dimensions (mm)																			
I-VP2X (ADJ) w/	A	B	C	D	E	F	H	J	K	L	M	N	P	R	S	T	U	V	W	Y
STAA4	G 1/4	G 1/4	G 1/4	5.33	9.65	19.05	N/A	19.05	71.88	88.65	5.08	27.94	5.84	41.91	69.85	81.28	160.27	27.94	9.53	23.24
AA4							N/A										116.59			
ST4							N/A										128.52			
VSMN(P)-QD-6, VTMV-QD-6, SX-5						37.85											N/A			N/A

Modular Venturi Vacuum Pumps w/ Pneumatic Blow-Off – Mid Series

Standard Pump: VP2XBV-(60, 90, 100, 150) (L, M or H) (-ADJ)



Specifications: **VP2XBV-90H-ADJ-ST4**

Weight: 11.4oz [323.2g]

Noise Level: 64 dB

Model #	Imperial Dimensions (in.)																			
VP2XBV/M8 (ADJ) w/	A	B	C	D	E	F	H	J	K	L	M	N	P	R	S	U	V	W	Y	Z
STAA4	1/8 NPT F	1/4 NPT F	1/4 NPT F	0.21	0.38	0.75	N/A	0.59	2.83	3.49	0.20	1.30	1.76	1.65	2.75	9.47	1.10	0.38	1/8 NPT	0.92
AA4							N/A									7.75				
ST4							N/A									8.22				
VSMN(P)-QD-6, VTMV-QD-6, SX-5							1.49									N/A				
Model #	Metric Dimensions (mm)																			
I-VP2XBV/M8 (ADJ) w/	A	B	C	D	E	F	H	J	K	L	M	N	P	R	S	U	V	W	Y	Z
STAA4	G 1/8	G 1/4	G 1/4	5.33	9.65	19.05	N/A	14.99	71.88	88.65	5.08	33.02	44.70	41.91	69.85	240.6	27.94	9.65	G 1/8	23.24
AA4							N/A									196.9				
ST4							N/A									208.8				
VSMN(P)-QD-6, VTMV-QD-6, SX-5							37.85									N/A				

*-ADJ Version Only