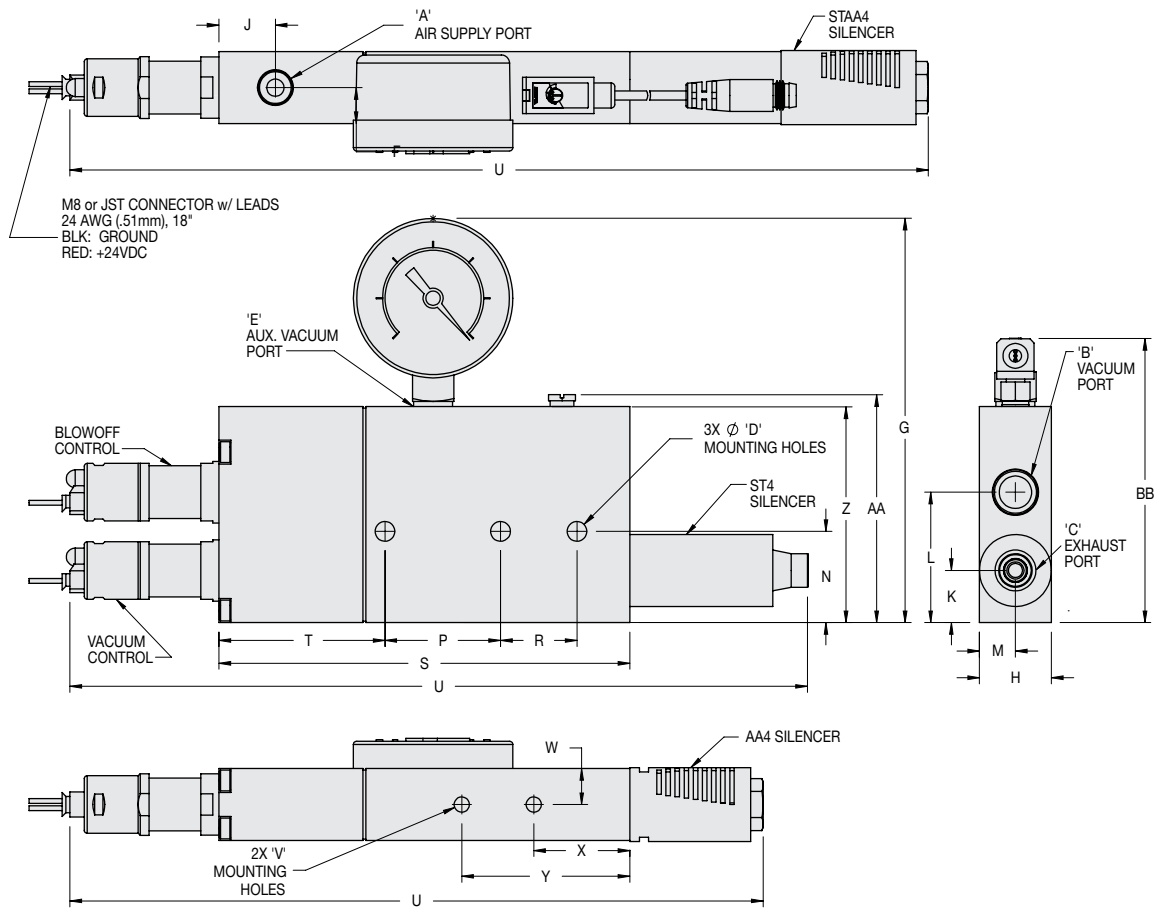


Modular Venturi Vacuum Pumps w/ Solenoid Operated Vacuum & Blow-Off – Mid Series

Standard Pump: VP35-(60, 90, 100, 150) (L, M, H)



Specifications: **VP35M8-100M-ST-4**

Weight: 11.5 oz [328g]

Noise Level: 66 dB



Model #	Imperial Dimensions (in.)																									
VP35/M8 w/	A	B	C	D	E	F	G	H	J	K	L	M	N	P	R	S	T	U	V	W	X	Y	Z	AA	BB	
AA4																		7.22						2.42	N/A	
ST4	1/8	1/4	1/4		1/8	M5	4.24	0.75	0.59	0.54	1.36	0.38	0.95	1.20	0.80	4.28	1.70	7.68								
STAA4	NPT	FNPT	FNPT	F														8.94	10-32	0.38	1.00	1.75	2.25			
VSMN(P)-QD-6, VTMV-QD-6																		N/A						N/A	3.00	
Model #	Metric Dimensions (mm)																									
I-VP35/M8 w/	A	B	C	D	E	F	G	H	J	K	L	M	N	P	R	S	T	U	V	W	X	Y	Z	AA	BB	
AA4																		183.4								
ST4																		195.1							61.3	N/A
STAA4	G 1/8	G 1/4	1/4		G 1/8	M5	107.7	19.1	15.0	13.7	34.5	9.6	24.1	30.5	20.3	108.7	43.2	227.1	M5	20.7	54.4	95.2	57.2			
VSMN(P)-QD-6, VTMV-QD-6																		N/A							N/A	76.2