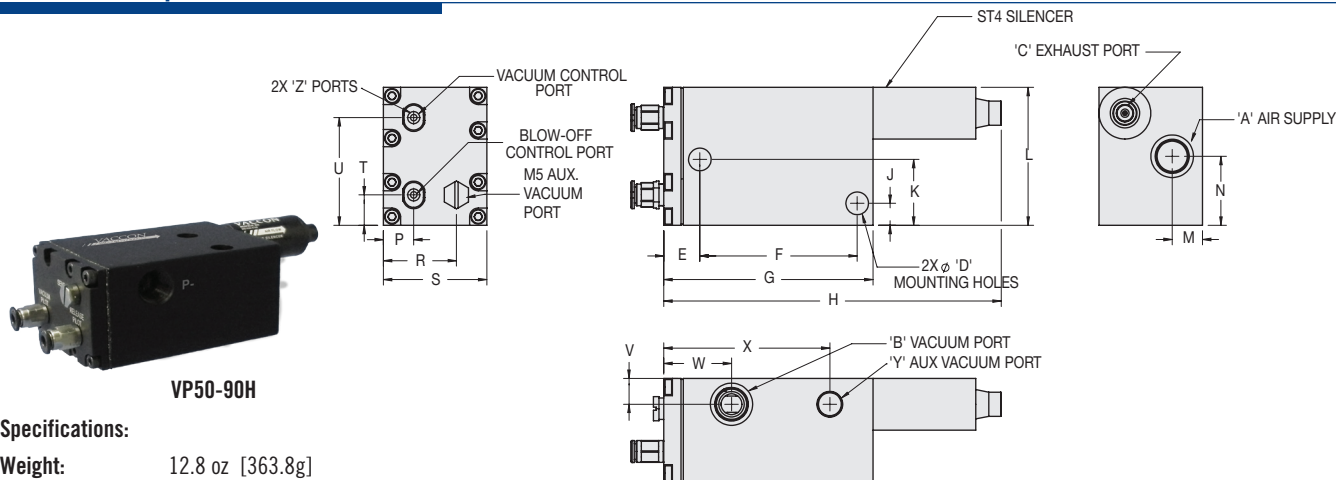
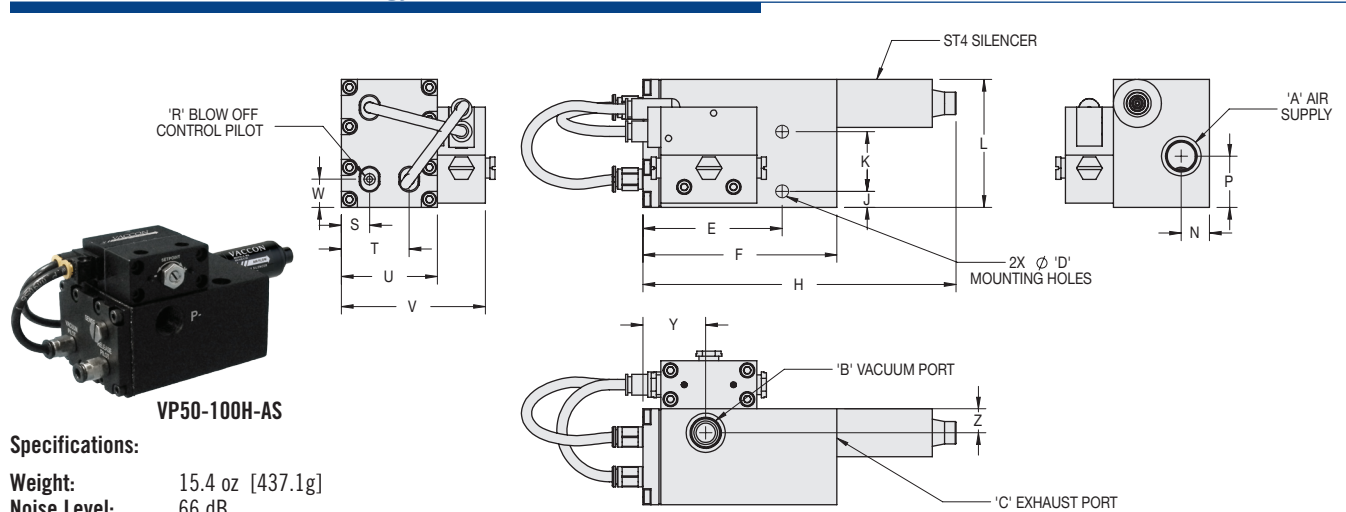


Standard Pump: VP50 w/ Pilot Control



Model #	Imperial Dimensions (in.)																						
	A	B	C	D	E	F	G	H	J	K	L	M	N	P	R	S	T	U	V	W	X	Y	Z
VP50	1/4 NPT F	1/4 NPT F	1/4 NPT F	0.21	0.52	2.28	3.03	4.89	0.25	0.95	2.00	0.44	1.00	0.44	1.06	1.50	0.44	1.56	0.38	0.98	2.41	1/8 NPT F	5/32
Model #	Metric Dimensions (mm)																						
	A	B	C	D	E	F	G	H	J	K	L	M	N	P	R	S	T	U	V	W	X	Y	Z
I-VP50	G 1/4	G 1/4	G 1/4	5.33	13.21	57.91	76.96	124.21	6.35	24.23	50.80	11.18	25.40	11.18	M3	38.10	11.18	39.62	9.65	24.89	61.11	G 1/8	M3

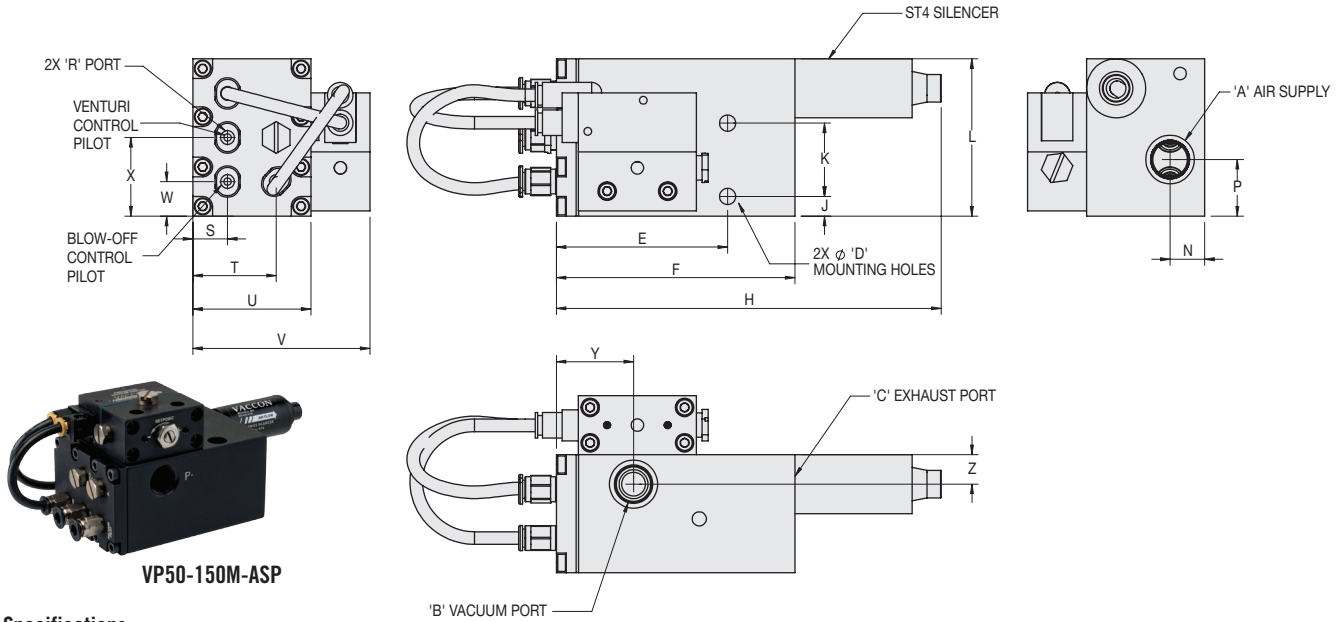
VP50-AS - w/ Air Saver Technology and Pilot Controlled Blow-Off



Model #	Imperial Dimensions (in.)																			
	A	B	C	D	E	F	H	J	K	L	N	P	R	S	T	U	V	W	Y	Z
VP50-AS	1/4 NPT F	1/4 NPT F	1/4 NPT F	0.21	2.18	3.03	4.89	0.25	0.93	2.00	0.44	0.72	5/32	0.44	1.06	1.50	2.25	0.44	0.98	0.38
Model #	Metric Dimensions (mm)																			
	A	B	C	D	E	F	H	J	K	L	N	P	R	S	T	U	V	W	Y	Z
I-VP50-AS	G 1/4	G 1/4	G 1/4	5.33	55.37	76.96	124.21	6.35	23.62	50.80	11.18	18.29	M3	11.18	26.92	38.10	57.15	11.18	24.89	9.53

All Pneumatic, Pilot Controlled Venturi Vacuum Pumps – Mid Series

VP50-ASP w/ Air Saver Technology & Full Pilot Control



Specifications:

Weight: 15.6 oz [442.1g]
Noise Level: 66 dB

Model #	Imperial Dimensions (in.)																				
	A	B	C	D	E	F	H	J	K	L	N	P	R	S	T	U	V	W	X	Y	Z
VP50-ASP	1/4 NPT F	1/4 NPT F	1/4 NPT F	0.21	2.18	3.03	4.89	0.25	0.93	2.00	0.44	0.72	5/32	0.44	1.06	1.50	2.25	0.44	1.00	0.98	0.38
Model #	Metric Dimensions (mm)																				
	A	B	C	D	E	F	H	J	K	L	N	P	R	S	T	U	V	W	X	Y	Z
I-VP50-ASP	G 1/4	G 1/4	G 1/4	5.33	55.37	76.96	124.21	6.35	23.62	50.80	11.18	18.29	M3	11.18	26.92	38.10	57.15	11.18	25.40	24.89	9.53