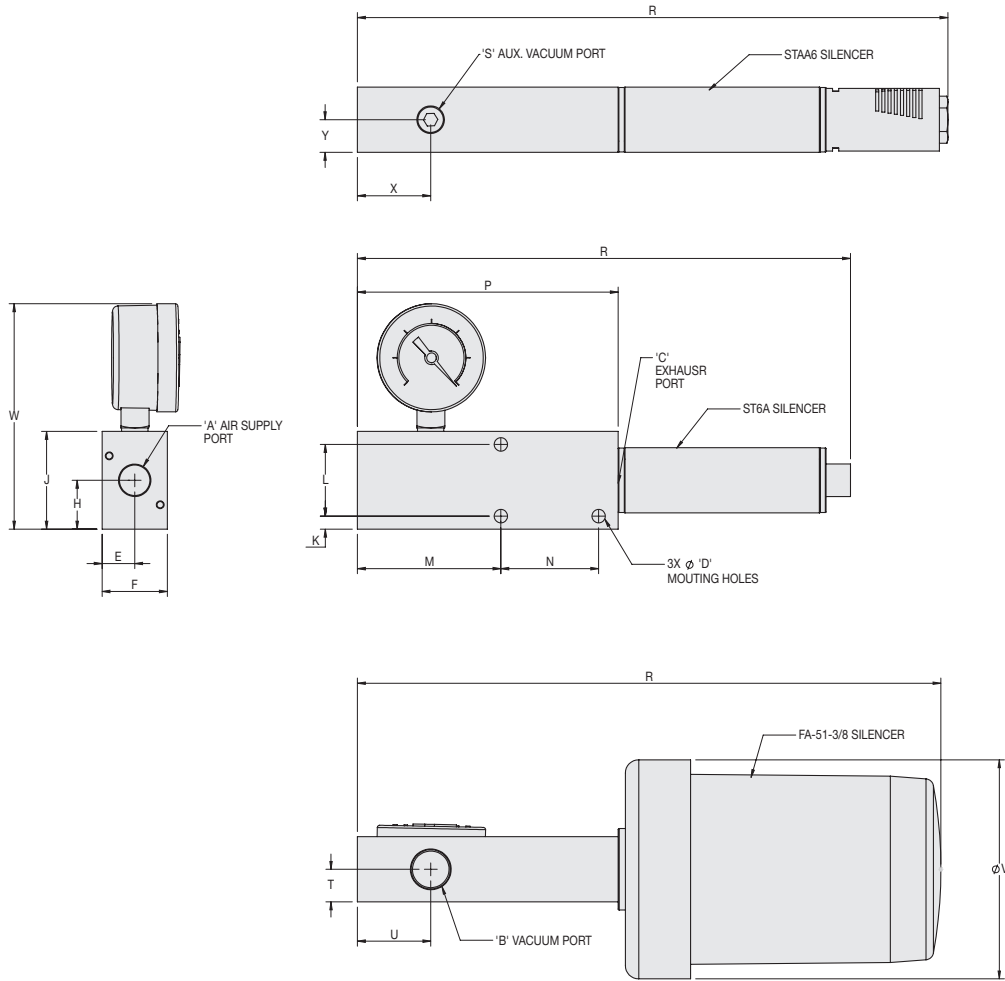


# Modular Venturi Vacuum Pumps w/ Optional Solenoid Valve – Max Series

## Standard Pump: VP80-200 (L, M, H)



*VP80-200H with ST-6A silencer*



*VP80-200M with STAA6silencer*



*VP80-200H with FA51-3/8 optional silencer and VG-150 vacuum gauge*

**Specifications:**

**Weight:**

10.2 oz [290g]

10.5 oz [298g]

1 lb 5 oz [595g]

**Noise Level:**

72dB

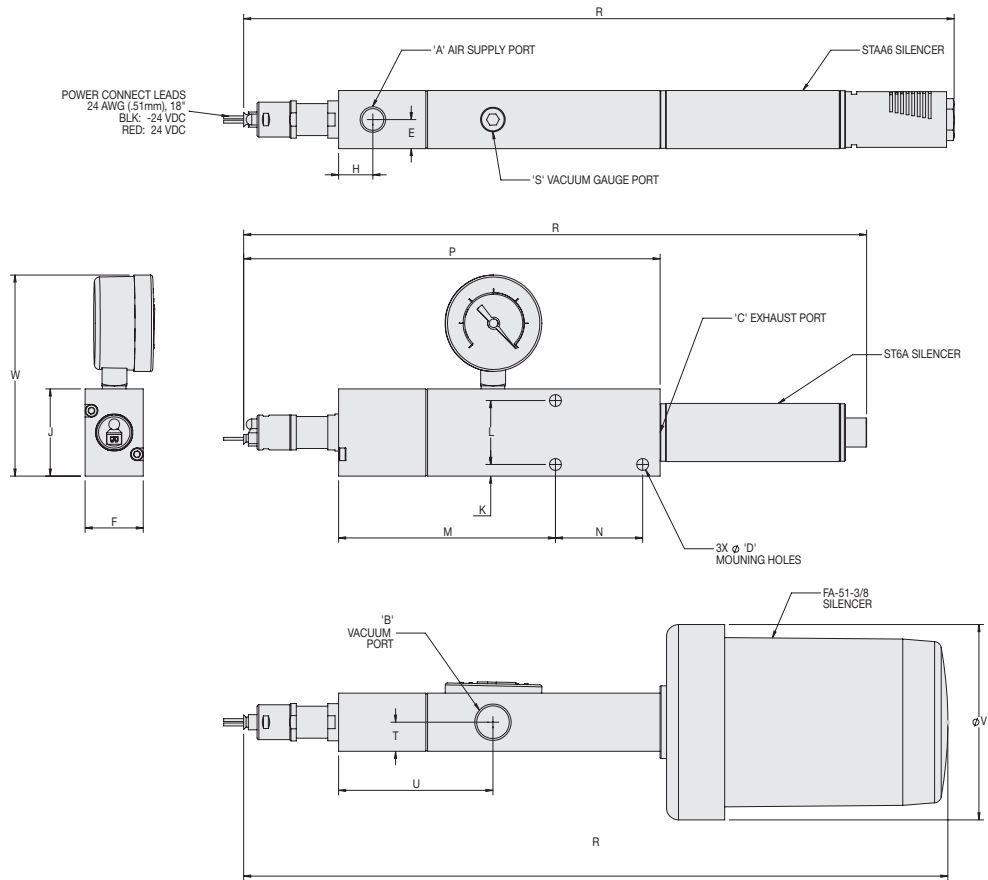
65dB

72dB

Model #	Imperial Dimensions (in.)																				
VP80-200	A	B	C	D	E	F	H	J	K	L	M	N	P	R	S	T	U	V	W	X	Y
W STAA6	1/4 NPT F	3/8 NPT F	3/8 NPT F	0.21	0.50	1.00	0.75	1.50	0.20	1.10	2.20	1.50	4.00	9.05	1/8 NPT F	0.50	1.13	3.36	3.46	1.12	0.50
W ST-6A														7.57							
W FA-51-3/8														9.74							
Model #	Metric Dimensions (mm)																				
I-VP80-200	A	B	C	D	E	F	H	J	K	L	M	N	P	R	S	T	U	V	W	X	Y
W STAA6	G 1/4	G 3/8	G 3/8	5.3	12.7	25.4	19.1	38.1	5.1	27.9	55.9	38.1	101.6	229.9	G 1/8	12.7	28.7	85.3	87.9	28.4	12.7
W ST-6A														192.3							
W FA-51-3/8														247.4							

# Modular Venturi Vacuum Pumps w/ Optional Solenoid Valve – Max Series

## Standard Pump: VP80BV-200 (L, M, H)



**Specifications:** VP80BV-200H with ST-6A silencer

**Weight:** 14.3 oz [404.2g]

**Noise Level:** 72dB

**Specifications:** VP80BV-200H with optional STAA6 silencer

**Weight:** 14.6 oz [413.9g]

**Noise Level:** 65dB

**Specifications:** VP80BV-200H with FA51-3/8 optional silencer and VG-150 vacuum gauge.

**Weight:** 1 lb 9 oz [707.6g]

**Noise Level:** 72dB

Model #	Imperial Dimensions (in.)																		
VP80BV-200	A	B	C	D	E	F	H	J	K	L	M	N	P	R	S	T	U	V	W
W STAA6	1/8 NPT F	3/8 NPT F	3/8 NPT F	0.21	0.50	1.00	0.59	1.50	0.20	1.10	3.73	1.50	7.16	12.22	1/8 NPT F	0.50	2.66	3.36	3.46
W ST-6A														10.72					
W FA-51-3/8														16.90					
Model #	Metric Dimensions (mm)																		
I-VP80BV-200	A	B	C	D	E	F	H	J	K	L	M	N	P	R	S	T	U	V	W
W STAA6	G 1/8	G 3/8	G 3/8	5.3	12.7	25.4	15.0	38.1	5.1	27.9	94.7	38.1	181.9	310.4	G 1/8	12.7	67.6	85.3	87.9
W ST-6A														272.3					
W FA-51-3/8														429.3					