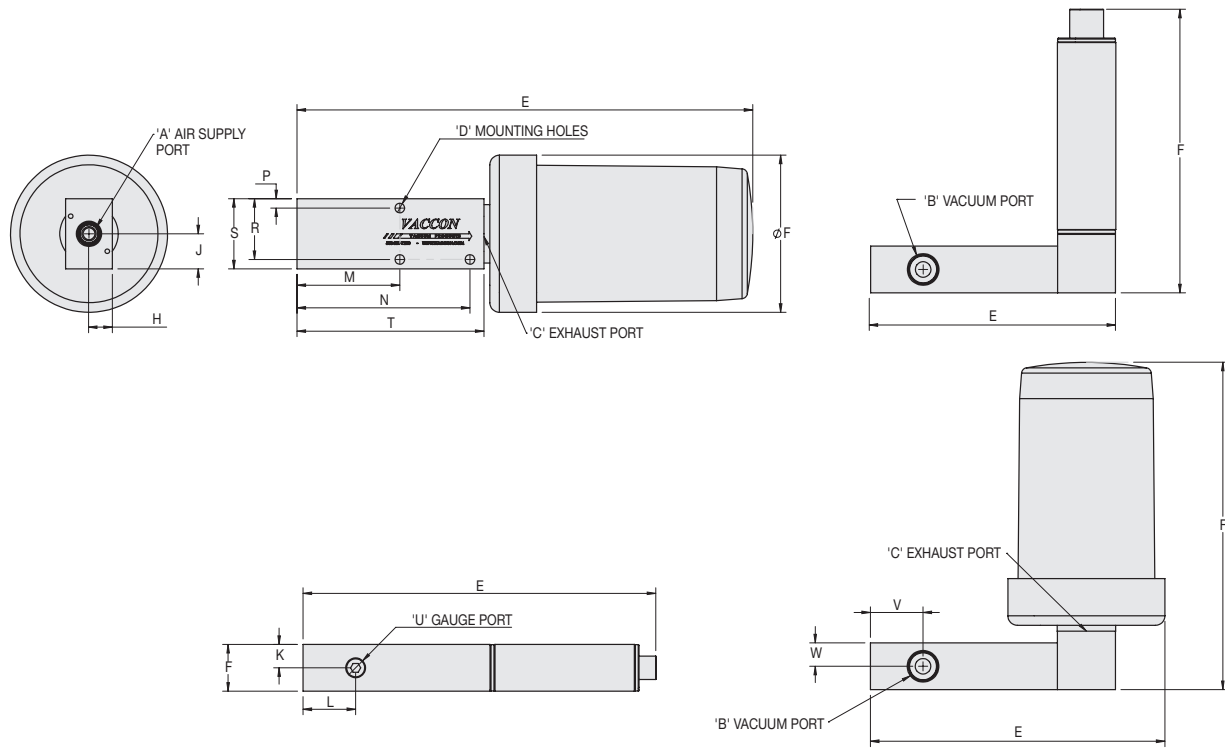


Modular Venturi Vacuum Pumps w/ Optional Solenoid Valve – Max Series

Standard Pump: VP80-250 (L, M, H)



VP80-250H with ST-8A silencer



VP80-250H with ST-8B Silencer



Standard VP80-250M includes FA-51-1/2 silencer

Specifications:

Weight: 10 oz [384g]
Noise Level: 75dB

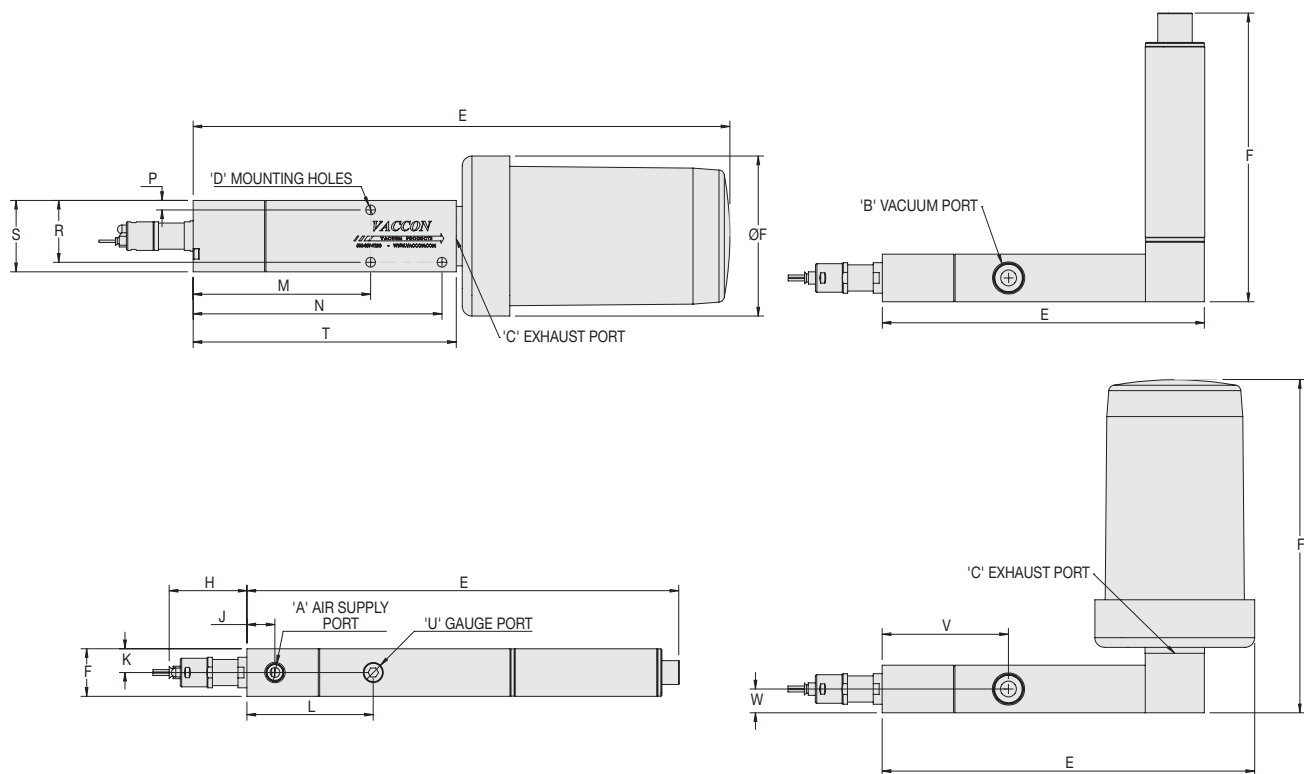
14 oz [397g]
 73dB

1 lb. 8 oz [680g]
 73dB

Model #	Imperial Dimensions (in.)																		
VP80-250	A	B	C	D	E	F	H	J	K	L	M	N	P	R	S	T	U	V	W
STD					6.30	7.00													
N/E	1/4	3/8	1/2	0.21	9.75	3.36	0.50	0.75	0.50	1.13	2.20	3.70	0.20	1.30	1.50	4.00	1/8	1.13	0.50
ST-8B	NPT F	NPT F	NPT F		5.24	6.06													
ST-8A					7.54	1.00													
Model #	Metric Dimensions (mm)																		
I-VP80-250	A	B	C	D	E	F	H	J	K	L	M	N	P	R	S	T	U	V	W
STD					160.0	177.9													
N/E	G 1/4	G 3/8	G 1/2	5.3	247.7	85.3	12.7	19.1	12.7	28.6	55.9	94.0	5.1	33.0	38.1	101.6	G 1/8	28.6	12.7
ST-8B					133.1	153.9													
ST-8A					191.5	25.4													

Modular Venturi Vacuum Pumps w/ Optional Solenoid Valve – Max Series

VP80BV-250 (L, M, H) Pump



VP80BV-250M w/ ST-8A



VP80BV-250M w/ ST-8B



VP80BV-250M-NE

Specifications:

Weight: 14.1 oz [399.7g]
Noise Level: 75dB

1 lb 2.4 oz [513.6g]
 73dB

1 lb 10.5oz [751.3g]
 72dB

Model #	Imperial Dimensions (in.)																			
VP80BV-250	A	B	C	D	E	F	H	J	K	L	M	N	P	R	S	T	U	V	W	
STD					7.83	7.00														
N/E	1/8	3/8	1/2	0.21	11.28	3.36	1.63	0.60	0.50	2.66	3.73	5.23	0.20	1.30	1.50	5.53	1/8	2.66	0.50	
ST-8B	NPT F	NPT F	NPT F		6.77	6.07														
ST-8A					9.07	1.00														
Model #	Metric Dimensions (mm)																			
I-VP80BV-250	A	B	C	D	E	F	H	J	K	L	M	N	P	R	S	T	U	V	W	
STD					198.9	177.9														
N/E	G 1/8	G 3/8	G 1/2	5.3	286.5	85.3	41.4	15.2	12.7	67.4	94.7	132.8	5.1	33.0	38.1	140.5	G 1/8	67.4	12.7	
ST-8B					172.0	154.1														
ST-8A					230.4	25.4														