

Modular Venturi Vacuum Pumps w/ Pneumatic Blow-Off – Max Series

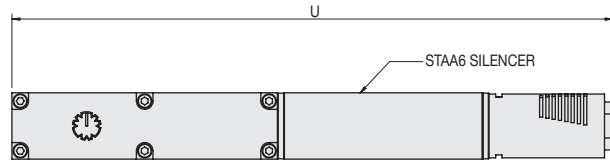
Standard Pump: VP8X-200 (L, M or H) (-ADJ)



VP8X-200M with STAA6 Silencer

Specifications:

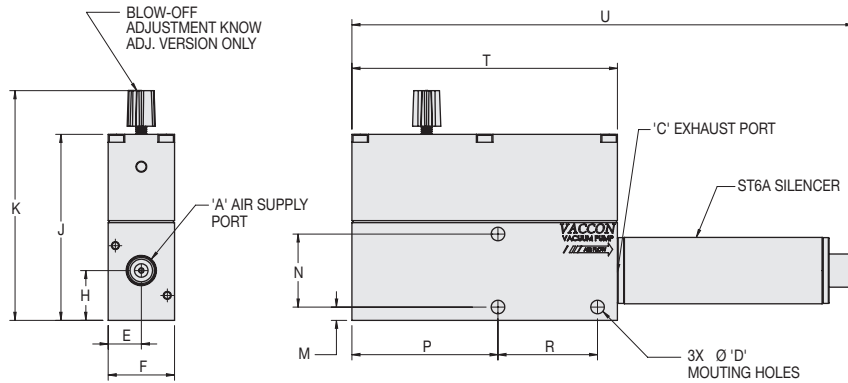
Weight: 15.6 oz [442g]
Noise Level: 64 dB



VP8X-200H-ADJ with ST6A Silencer

Specifications:

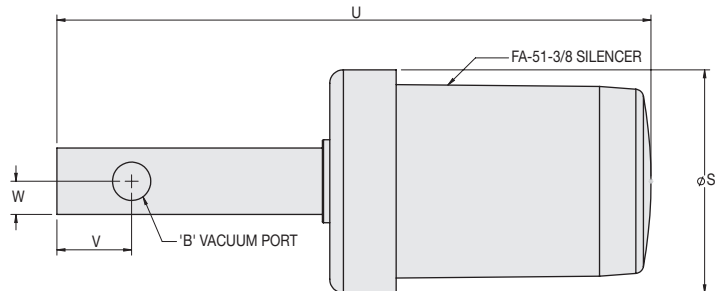
Weight: 15 oz [425g]
Noise Level: 72 dB



VP8X-200H-ADJ with FA-51-3/8 silencer

Specifications:

Weight: 2 lbs [1kg]
Noise Level: 73 dB

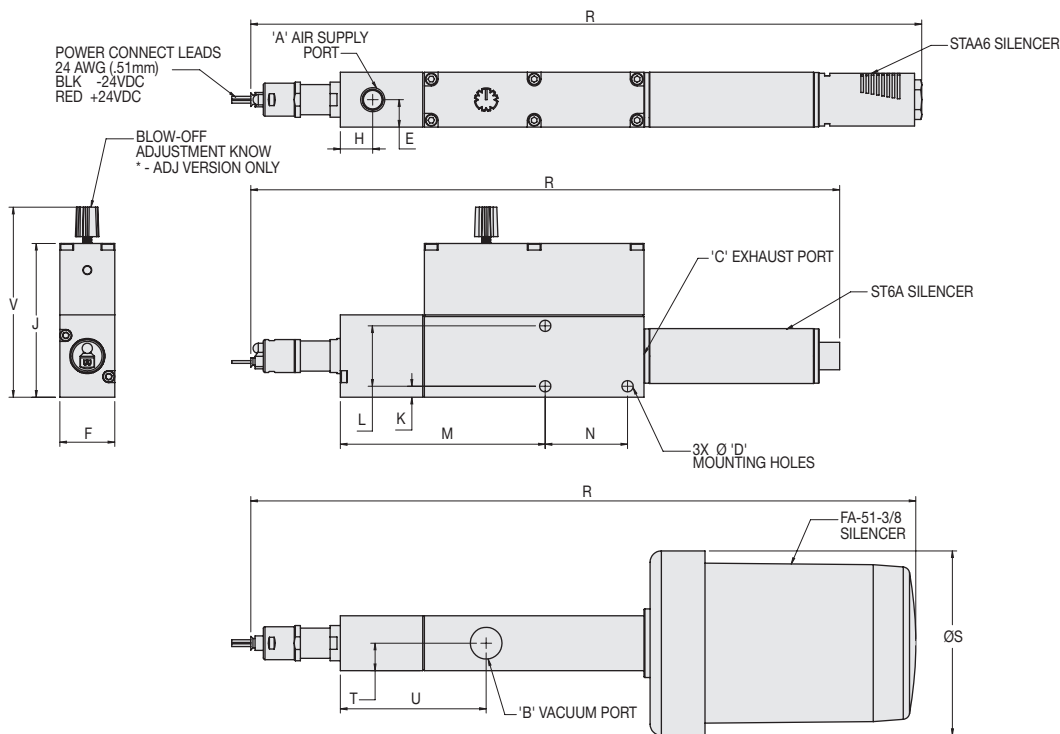


Model #	Imperial Dimensions (in.)																	
VP8X-200 (ADJ)	A	B	C	D	E	F	H	J	K*	M	N	P	R	S	T	U	V	W
w/ST-6A																7.56		
w/STAA6	1/4 NPT F	3/8 NPT F	3/8 NPT F	0.21	0.50	1.00	0.75	2.80	3.46	0.20	1.10	2.20	1.50	3.36	4.00	9.06	1.13	0.50
w/FA-51-3/8																9.70		
Model #	Metric Dimensions (mm)																	
I-VP8X-200 (ADJ)	A	B	C	D	E	F	H	J	K*	M	N	P	R	S	T	U	V	W
w/ST-6A																192.0		
w/STAA6	G 1/4	G 3/8	G 3/8	5.3	12.7	25.4	19.1	71.1	87.9	5.1	27.9	55.9	38.1	85.3	101.6	230.1	28.6	12.7
w/FA-51-3/8																246.4		

*-ADJ Version Only

Modular Venturi Vacuum Pumps w/ Pneumatic Blow-Off – Max Series

Standard Pump: VP8XBV-200 (L, M or H) (-ADJ)



VP8XBV-200H-ADJ with ST6A Silencer

Specifications:

Weight: 19.1 oz [541.5g]
Noise Level: 72 dB



VP8XBV-200M with STAA6 Silencer

Specifications:

Weight: 19.7 oz [558.5g]
Noise Level: 64 dB



VP8XBV-200H-ADJ with FA-51-3/8 silencer

Specifications:

Weight: 2 lbs 4 oz [1.021kg]
Noise Level: 73 dB

Model #	Imperial Dimensions (in.)																
VP8XBV-200 (ADJ)	A	B	C	D	E	F	H	J	K	L	M	N	R	S	T	U	V
w/STAA6	1/8 NPT F	1/4 NPT F	3/8 NPT F	0.21	0.50	1.00	0.59	2.80	0.20	1.10	3.73	1.50	12.22	3.36	0.50	2.66	3.46
w/ST-6A													10.73				
w/FA-51-3/8													16.90				
Model #	Metric Dimensions (mm)																
I-VP8XBV-200 (ADJ)	A	B	C	D	E	F	H	J	K	L	M	N	R	S	T	U	V
w/STAA6	G 1/8	G 1/4	G 3/8	5.3	12.7	25.4	15.0	71.1	5.1	27.9	94.7	38.1	310.4	85.3	12.7	67.6	87.9
w/ST-6A													272.4				
w/FA-51-3/8													429.3				