

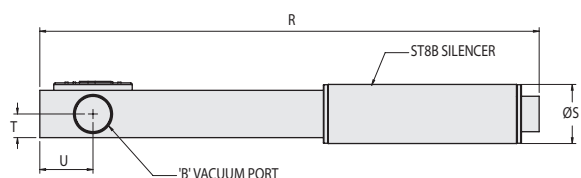
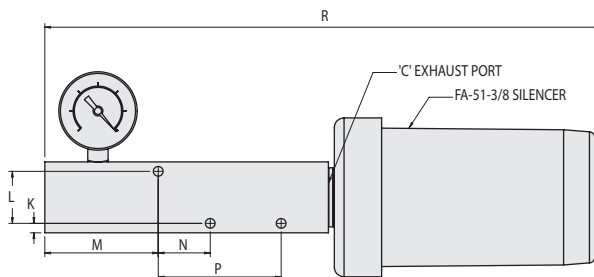
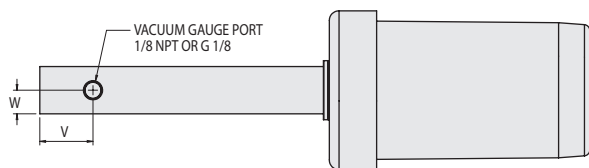
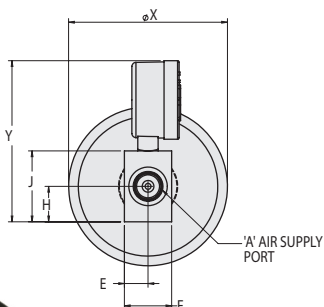
Standard: VP90-300 & VP90-350 (L, M, H) Pump



VP90-350H with ST-8B silencer and VG-150 vacuum gauge.



VP90-350H includes FA-51-1/2 silencer.



Specifications:

Weight VP90-300/350 with ST-8B: 1lb 3 oz [539g]
Noise Level VP90-300/350 with ST-8B: 73dB

VP90-300/350 WITH FA-51-1/2 SILENCER: 1lb 12 oz [794g]
VP90-300/350 WITH FA-51-1/2 SILENCER: 70dB

Model #	Imperial Dimensions (in.)																				
VP90-300/350 w/	A	B	C	D	E	F	H	J	K	L	M	N	P	R	S	T	U	V	W	X	Y
FA-51-3/8	3/8	1/2	1/2	0.21	0.5	1.00	0.75	1.5	0.2	1.10	2.40	1.10	2.60	11.75	1.25	0.5	1.13	1.13	0.5	3.36	3.41
ST-8B	NPT F	NPT	NPT											10.56							
														N/A							
Model #	Metric Dimensions (mm)																				
I-VP90-300/350 w/	A	B	C	D	E	F	H	J	K	L	M	N	P	R	S	T	U	V	W	X	Y
FA-51-3/8	G 3/8	G 1/2	G 1/2	5.3	12.7	25.4	19.1	38.1	5.1	27.9	61.0	27.9	66.0	298.45	31.8	12.7	28.6	28.6	12.7	85.3	86.6
ST-8B														268.22							
														N/A							