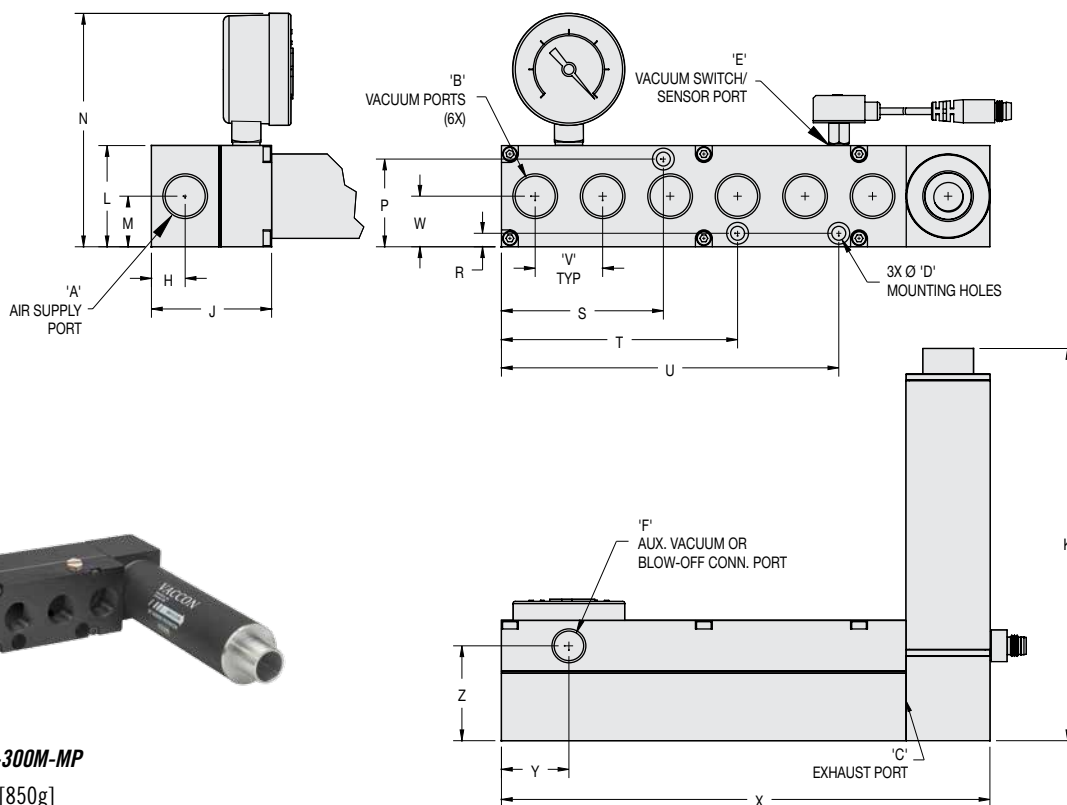


VP90-300 & VP90-350 (L, M, H)-MP Pump



Specifications: *VP90-300M-MP*

Weight: 30 oz [850g]

Noise Level: 73 dB

Model #	Imperial Dimensions (in.)																					
	A	B	C	D	E	F	H	J	K	L	M	N	P	R	S	T	U	V	W	X	Y	Z
VP90-300/ 350-MP	3/8 NPT F	1/2 NPT	1/2 NPT	0.21	1/8 NPT	1/8 NPT	0.50	1.78	6.07	1.50	0.75	3.41	1.30	0.2	2.4	3.5	5.00	1.00	0.75	7.25	1.00	1.41
Model #	Metric Dimensions (mm)																					
	A	B	C	D	E	F	H	J	K	L	M	N	P	R	S	T	U	V	W	X	Y	Z
I-VP90-300/ 350-MP	G 3/8	G 1/2	G 1/2	5.3	G 1/8	G 1/8	12.7	45.2	154.2	38.1	19.1	86.6	33.0	5.1	61.0	88.9	127.0	25.4	19.1	184.2	25.4	35.8

VP90-300/350-MP Pump Standard Specifications:

Pump & Cartridge Material: Anodized Aluminum (For silencer material, see page 13.5)

Medium: Filtered (100 Micron) unlubricated, non-corrosive dry gases

Operating Temperature: -100° to ~ 400° F [-73° to ~ 204°C]

Operating Pressure: 80 PSI [5.5 bar] or 60 PSI [4.1 bar] – Consult Factory for other operating pressures

VP90-300/350-MP Operating and Installation Requirements:

Supply Line: 1/2" O.D. [12mm] tube recommended

Vacuum Line: 1/2" O.D. [12mm] tube recommended – 3/4" [22mm] for vacuum lines exceeding 3' (1M)

Vacuum Line Filtration: Typically vacuum filters are not required. If desired, Vaccon recommends – VF375F. See page 13.12

Control Valve: 3 way/2 position (faster part release), minimum orifice – 0.25" [6mm]

Mounting Holes: Mounting holes accept #10-32 [M5] screws