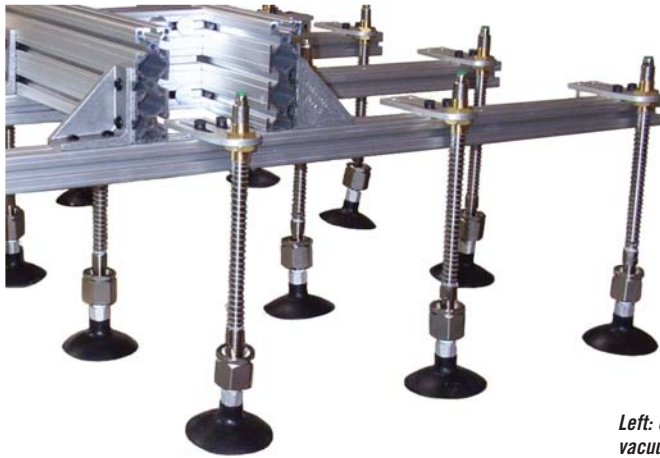


Vacuum Cup Fittings



Left: Custom EOAT spring levelers, vacuum fitting and cup assembly.
Right: Vacuum fitting and Vacuum cup.



Ideal Applications:

- Automation assembly fixtures
- Robotic end effectors
- End-of-Arm Tooling devices

Designed with large thru bores, Vaccon fittings connect to vacuum cups, vacuum pumps and spring levelers ensuring unrestricted vacuum flow for safe material handling operations.

For plumbing flexibility, Vaccon offers 9 different fitting groups with various thread sizes.

Standard Fittings:

- Clear chromate coated aluminum or brass
- NPT, G, M5 and 10-32 threads
- Male and female threads

How to Specify:

Size the cup first based on application requirements. Then choose the fitting size. Please note Vaccon's Cup Section includes recommended fitting groups for each cup.

For fitting only: order by model # i.e. VCF4-18F

For cup and fitting: order cup part number first and then the numbered extension of the fitting i.e. **VCR-B20P-C-4-14M** (note: remove the VCF from fitting number)

Fitting Groups 1, 2, 3



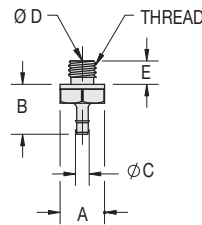
VCF1-1032M



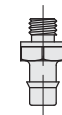
VCF2-1032M



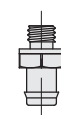
VCF3-1032M



VCF1-1032M



VCF2-1032M

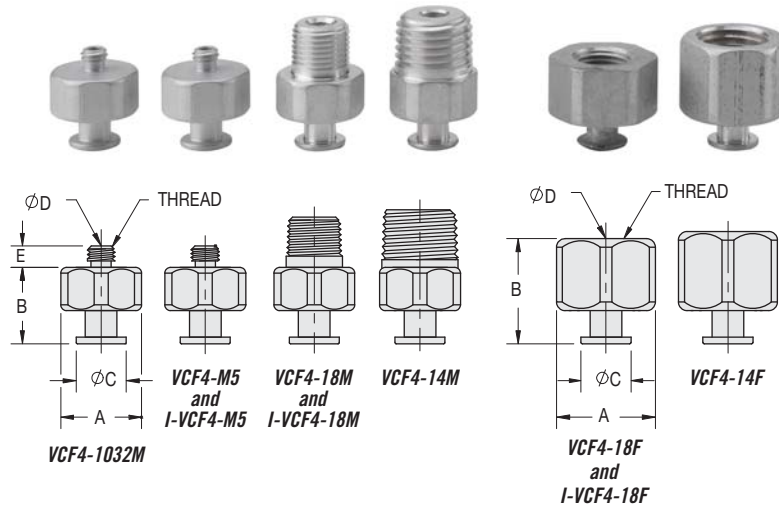


VCF3-1032M

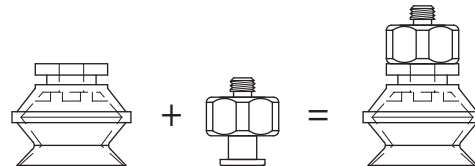
Model #	Thread Size	Dimensions					Weight	Material	
		A (Hex)	B	C	D (Thru Hole Dia.)	E			
VCF1-1032M	10-32 MALE	in.	0.31	0.35	0.10	0.05	0.16	0.07 oz	Brass
		mm	7.9	8.9	2.5	1.4	4.1	2 g	
VCF2-1032M	10-32 MALE	in.	0.31	0.44	0.24	0.09	0.16	0.1 oz	Brass
		mm	7.9	11.2	6.1	2.2	4.1	2.8 g	
VCF3-1032M	10-32 MALE	in.	0.31	0.39	0.24	0.09	0.16	0.1 oz	Brass
		mm	7.9	9.9	6.1	2.4	4.1	2.8 g	

Vacuum Cups & Fittings

Fitting Group 4

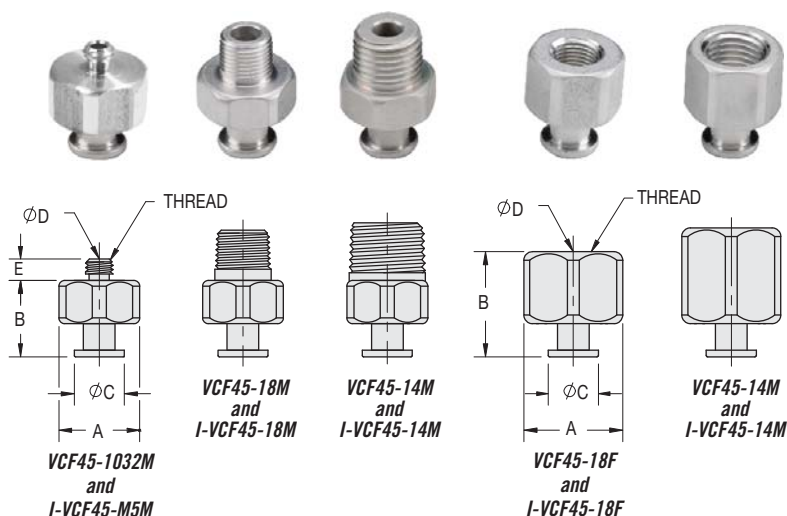


Model #	Thread Size		Dimensions					Weight	Material
			A (Hex)	B	C	D (Thru Hole Dia.)	E		
VCF4-1032M	10-32 Male	in	0.56	0.53	0.35	0.09	0.15	0.2 oz	Aluminum
		mm	14.3	13.5	8.8	2.4	3.8	5.7 g	
VCF4-M5	M5 X 0.8 Male	in	0.56	0.53	0.35	0.09	0.15	0.2 oz	Aluminum
		mm	14.3	13.5	8.8	2.4	3.8	5.7 g	
VCF4-18M	1/8 NPT Male	in	0.56	0.53	0.35	0.17	0.35	0.2 oz	Aluminum
		mm	14.3	13.5	8.8	4.4	8.9	5.7g	
VCF4-14M	1/4 NPT Male	in	0.56	0.53	0.35	0.17	0.40	0.3 oz	Aluminum
		mm	14.3	13.5	8.8	4.4	10.2	8.5 g	
VCF4-18F	1/8 NPT Female	in	0.69	0.73	0.35	0.17	N/A	0.3 oz	Aluminum
		mm	17.4	18.5	8.8	4.4	N/A	8.5 g	
VCF4-14F	1/4 NPT Female	in	0.69	0.78	0.35	0.17	N/A	0.3 oz	Aluminum
		mm	17.4	19.8	8.8	4.4	N/A	8.5 g	
I-VCF4-M5	M5 X 0.8 Male	in	0.56	0.53	0.35	0.09	0.15	0.2 oz	Aluminum
		mm	14.3	13.5	8.8	2.4	3.8	5.7 g	
I-VCF4-18M	G1/8 Male	in	0.56	0.53	0.35	0.17	0.35	0.2 oz	Aluminum
		mm	14.3	13.5	8.8	4.4	8.9	5.7 g	
I-VCF4-18F	G1/8 Female	in	0.56	0.73	0.35	0.17	N/A	0.3 oz	Aluminum
		mm	17.5	18.5	8.8	4.4	N/A	8.5 g	

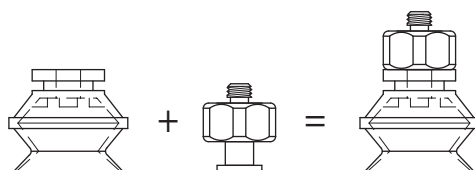


Example: Cup with Fitting

Fitting Group 45

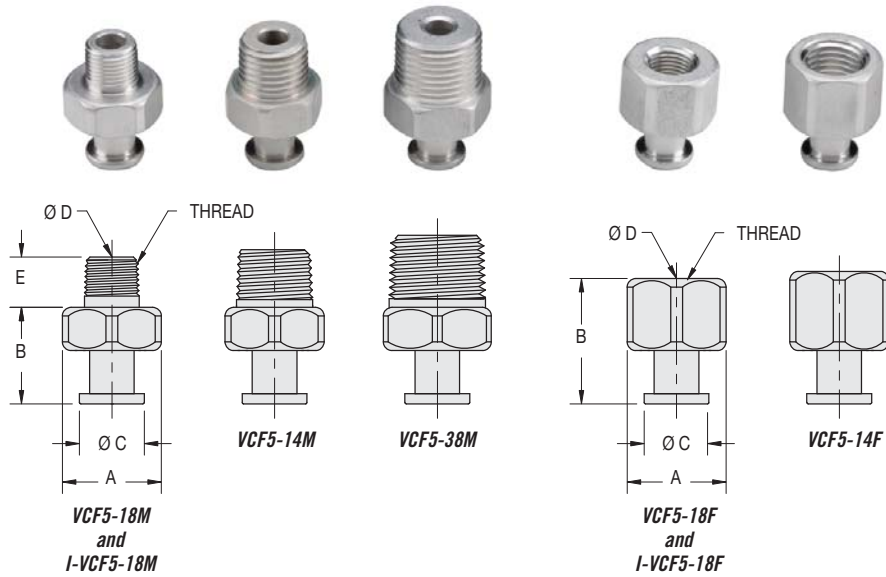


Model #	Thread Size		Dimensions					Weight	Material
			A (Hex)	B	C	D (Thru Hole Dia.)	E		
VCF45-1032M	10-32 Male	in	0.75	0.60	0.45	0.09	0.15	0.3 oz	Aluminum
		mm	19.05	15.11	11.43	2.36	3.81	8.5 g	
VCF45-18F	1/8 NPT Female	in	0.75	0.80	0.45	0.22	N/A	0.3 oz	Aluminum
		mm	19.05	20.19	11.43	5.56		8.5 g	
VCF45-18M	1/8 NPT Male	in	0.75	0.60	0.45	0.22	0.35	0.3 oz	Aluminum
		mm	19.05	15.11	11.43	5.59	8.89	8.5 g	
VCF45-14F	1/4 NPT Female	in	0.75	0.85	0.45	0.22	N/A	0.3 oz	Aluminum
		mm	19.05	21.59	11.43	5.59		8.5 g	
VCF45-14M	1/4 NPT Male	in	0.75	0.60	0.45	0.22	0.40	0.3 oz	Aluminum
		mm	19.05	15.11	11.43	5.59	10.16	8.5 g	
I-VCF45-M5M	M5 Male	in	0.75	0.60	0.45	0.09	0.15	0.3 oz	Aluminum
		mm	19.05	15.11	11.43	2.36	3.81	8.5 g	
I-VCF45-18F	G 1/8 Female	in	0.75	0.80	0.45	0.22	N/A	0.3 oz	Aluminum
		mm	19.05	20.32	11.43	5.59		8.5 g	
I-VCF45-18M	G 1/8 Male	in	0.75	0.60	0.45	0.22	0.35	0.3 oz	Aluminum
		mm	19.05	15.11	11.43	5.59	8.89	8.5 g	
I-VCF45-14F	G 1/4 Female	in	0.75	0.85	0.45	0.22	N/A	0.3 oz	Aluminum
		mm	19.05	21.59	11.43	5.59		8.5 g	
I-VCF45-14M	G 1/4 Male	in	0.75	0.60	0.45	0.22	0.40	0.3 oz	Aluminum
		mm	19.05	15.11	11.43	5.59	10.16	8.5 g	

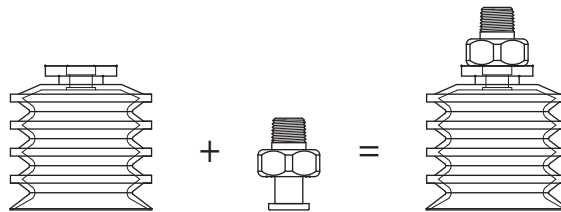


Example: Cup with Fitting

Fitting Group 5

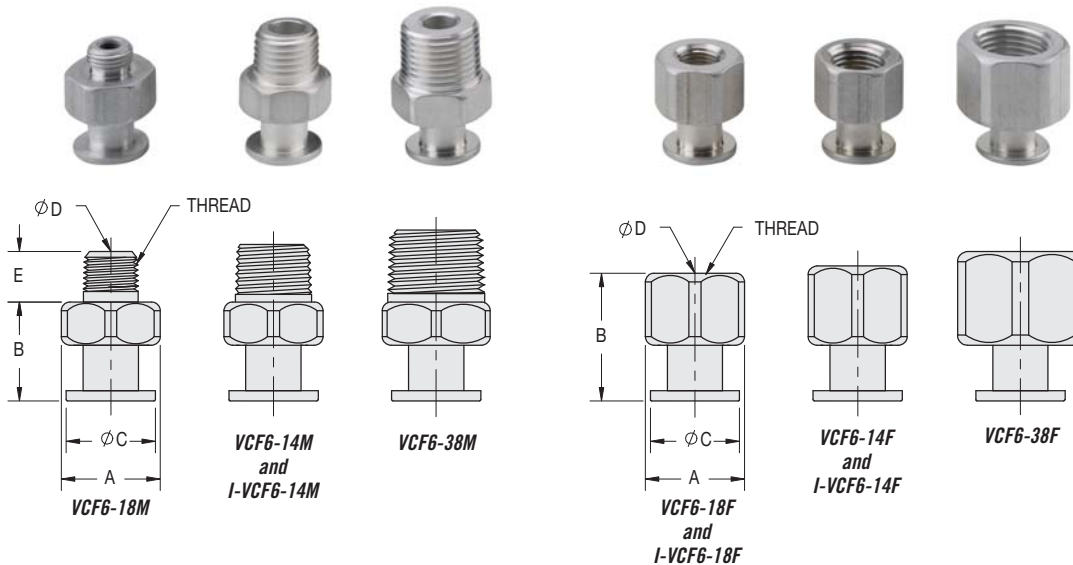


Model #	Thread Size	Dimensions						Weight	Material
		A (Hex)	B	C	D (Thru Hole Dia.)	E			
VCF5-18M	1/8 NPT Male	in	0.69	0.67	0.45	0.22	0.35	0.3 oz	Aluminum
		mm	17.4	17.0	11.4	5.6	8.9	8.5 g	
VCF5-14M	1/4 NPT Male	in	0.69	0.67	0.45	0.22	0.40	0.3 oz	Aluminum
		mm	17.4	17.0	11.4	5.6	10.2	8.5 g	
VCF5-38M	3/8 NPT Male	in	0.75	0.67	0.45	0.22	0.50	0.4 oz	Aluminum
		mm	19.1	17.0	11.4	5.6	12.7	11 g	
VCF5-18F	1/8 NPT Female	in	0.69	0.87	0.45	0.22	N/A	0.3 oz	Aluminum
		mm	17.4	22.1	11.4	5.6	N/A	8.5 g	
VCF5-14F	1/4 NPT Female	in	0.69	0.92	0.45	0.22	N/A	0.3 oz	Aluminum
		mm	17.4	23.4	11.4	5.6	N/A	8.5 g	
I-VCF5-18M	G1/8 Male	in	0.69	0.87	0.45	0.22	0.35	0.3 oz	Aluminum
		mm	17.4	22.1	11.4	5.6	8.9	8.5 g	
I-VCF5-18F	G1/8 Female	in	0.69	0.87	0.45	0.22	N/A	0.3 oz	Aluminum
		mm	17.4	22.1	11.4	5.6	N/A	8.5 g	



Example: Cup with Fitting

Fitting Group 6

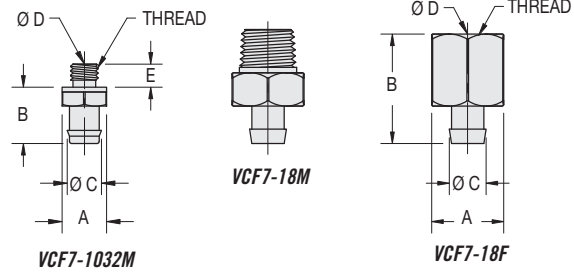


Model #	Thread Size	Dimensions						Weight	Material
		A (Hex)	B	C	D (Thru Hole Dia.)	E			
VCF6-18M	1/8 NPT Male	in	0.69	0.69	0.62	0.28	0.35	0.4 oz	Aluminum
		mm	17.4	17.4	15.7	7.1	8.9	11 g	
VCF6-14M	1/4 NPT Male	in	0.69	0.69	0.62	0.28	0.40	0.3 oz	Aluminum
		mm	17.4	17.4	15.7	7.1	10.2	8.5 g	
VCF6-38M	3/8 NPT Male	in	0.75	0.69	0.62	0.28	0.50	0.5 oz	Aluminum
		mm	19.1	17.4	15.7	7.1	12.7	14 g	
VCF6-18F	1/8 NPT Female	in	0.69	0.89	0.62	0.28	N/A	0.3 oz	Aluminum
		mm	17.4	22.5	15.7	7.1	N/A	8.5 g	
VCF6-14F	1/4 NPT Female	in	0.69	0.94	0.62	0.28	N/A	0.4 oz	Aluminum
		mm	17.4	23.7	15.7	7.1	N/A	11 g	
VCF6-38F	3/8 NPT Female	in	0.88	1.04	0.62	0.28	N/A	0.4 oz	Aluminum
		mm	22.2	26.3	15.7	7.1	N/A	11 g	
I-VCF6-14M	G 1/4 Male	in	0.69	0.69	0.62	0.28	0.40	0.3 oz	Aluminum
		mm	17.4	17.4	15.7	7.1	10.2	8.5 g	
I-VCF6-14F	G 1/4 Female	in	0.69	0.94	0.62	0.28	N/A	0.4 oz	Aluminum
		mm	17.4	23.7	15.7	7.1	N/A	11 g	
I-VCF6-18F	G 1/8 Female	in	0.69	0.89	0.62	0.28	N/A	0.3 oz	Aluminum
		mm	17.4	22.5	15.7	7.1	N/A	8.5 g	



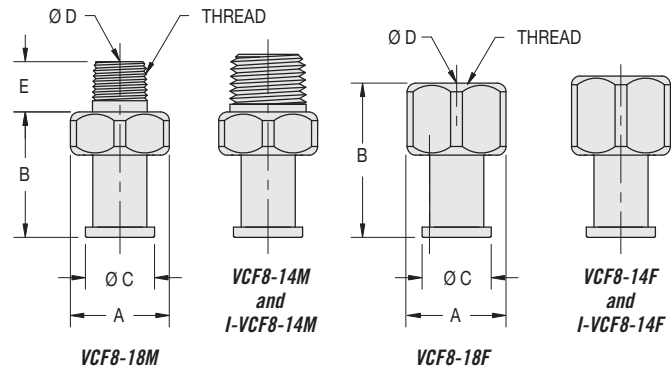
Example: Cup with Fitting

Fitting Group 7



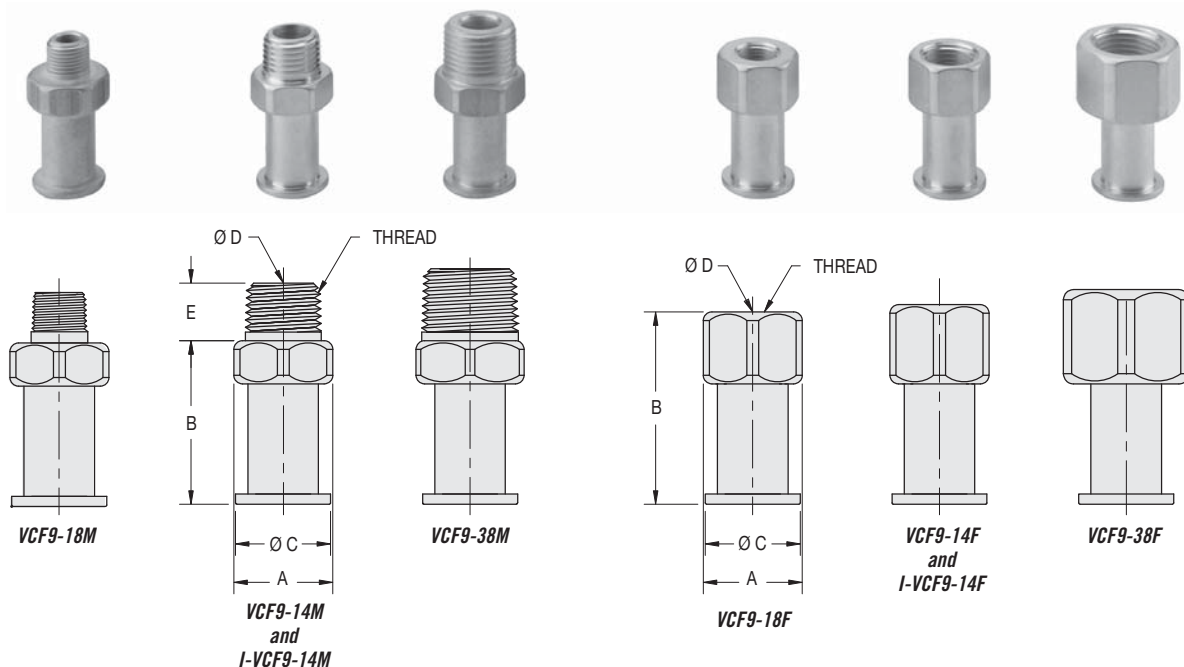
Model #	Thread Size		Dimensions					Weight	Material
			A (Hex)	B	C	D (Thru Hole Dia.)	E		
VCF7-1032M	10-32 Male	in	0.31	0.39	0.24	0.09	0.16	0.1 oz	Brass
		mm	7.9	9.9	6.1	2.4	4.1	2.8 g	
VCF7-18M	1/8 NPT Male	in	0.50	0.49	0.26	0.16	0.30	0.4 oz	Brass
		mm	12.7	12.4	6.5	4.1	7.6	11 g	
VCF7-18F	1/8 NPT Female	in	0.50	0.76	0.26	0.16	N/A	0.4 oz	Brass
		mm	12.7	19.3	6.5	4.1	N/A	11 g	

Fitting Group 8

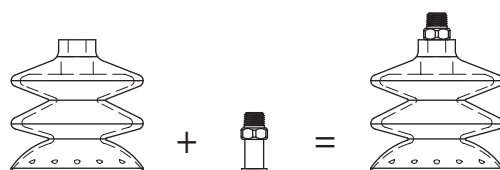


Model #	Thread Size		Dimensions					Weight	Material
			A (Hex)	B	C	D (Thru Hole Dia.)	E		
VCF8-18M	1/8 NPT Male	in	0.69	0.87	0.48	0.28	0.35	0.3 oz	Aluminum
		mm	17.4	22.1	12.2	7.1	8.9	8.5 g	
VCF8-14M	1/4 NPT Male	in	0.69	0.87	0.48	0.28	0.40	0.3 oz	Aluminum
		mm	17.4	22.1	12.2	7.1	10.2	8.5 g	
VCF8-18F	1/8 NPT Female	in	0.69	1.07	0.48	0.28	N/A	0.3 oz	Aluminum
		mm	17.4	27.2	12.2	7.1	N/A	8.5 g	
VCF8-14F	1/4 NPT Female	in	0.69	1.12	0.48	0.28	N/A	0.3 oz	Aluminum
		mm	17.4	28.4	12.2	7.1	N/A	8.5	
I-VCF8-14M	G 1/4 Male	in	0.69	0.74	0.48	0.28	0.45	0.3 oz	Aluminum
		mm	17.4	18.8	12.2	7.1	11.4	8.5 g	
I-VCF8-14F	G 1/4 Female	in	0.69	1.12	0.48	0.28	N/A	0.3 oz	Aluminum
		mm	17.4	28.4	12.2	7.1	N/A	8.5	

Fitting Group 9



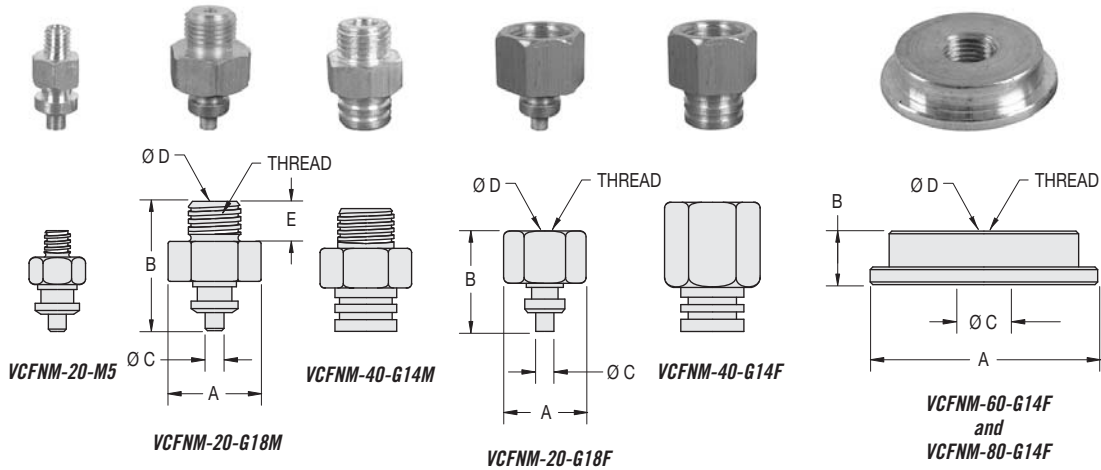
Model #	Thread Size	Dimensions					Weight	Material
		A (Hex)	B	C	D (Thru Hole Dia.)	E		
VCF9-18M	1/8 NPT Male	in	0.69	1.14	0.66	0.22	0.35	0.4 oz
		mm	17.4	28.8	16.8	5.6	8.9	11 g
VCF9-14M	1/4 NPT Male	in	0.69	1.14	0.66	0.34	0.40	0.4 oz
		mm	17.4	28.8	16.8	8.6	10.2	11 g
VCF9-38M	3/8 NPT Male	in	0.75	1.14	0.66	0.34	0.50	0.6 oz
		mm	19.1	28.8	16.8	8.6	12.7	17 g
VCF9-18F	1/8 NPT Female	in	0.69	1.34	0.66	0.34	N/A	0.4 oz
		mm	17.4	33.9	16.8	8.6	N/A	11 g
VCF9-14F	1/4 NPT Female	in	0.69	1.39	0.66	0.34	N/A	0.4 oz
		mm	17.4	35.2	16.8	8.6	N/A	11 g
VCF9-38F	3/8 NPT Female	in	0.88	1.49	0.66	0.34	N/A	0.5 oz
		mm	22.4	37.8	16.8	8.6	N/A	14 g
I-VCF9-14M	G 1/4 Male	in	0.69	1.14	0.66	0.34	0.40	0.4 oz
		mm	17.4	28.8	16.8	8.6	10.2	11 g
I-VCF9-14F	G 1/4 Female	in	0.69	1.39	0.66	0.34	N/A	0.4 oz
		mm	17.4	35.2	16.8	8.6	N/A	11 g



Example: Cup with Fitting

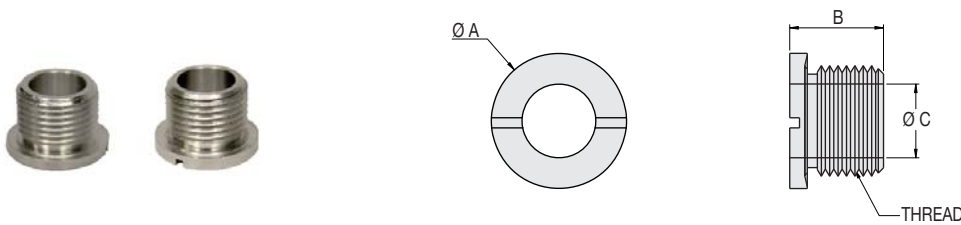
Vacuum Cups & Fittings

Fitting Group NM



Model #	Thread Size	Dimensions					Weight	Material	
		A (Hex)	B	C	D (Thru Hole Dia.)	E			
VCFNM-20-M5	M5 Male	in	0.32	0.55	0.32	0.10	0.20	0.04 oz	Aluminum
		mm	8.13	13.97	8.13	2.54	5.08	1.1 g	
VCFNM-20-G18F	G 1/8 Female	in	0.55	0.73	0.32	0.10	N/A	0.2 oz	Aluminum
		mm	13.97	18.54	8.13	2.54		5.7 g	
VCFNM-20-G18M	G 1/8 Male	in	0.55	0.61	0.32	0.10	0.28	0.2 oz	Aluminum
		mm	13.97	15.49	8.13	2.54	7.11	5.7 g	
VCFNM-40-G14F	G 1/4 Female	in	0.69	1.04	0.51	0.30	N/A	0.2 oz	Aluminum
		mm	17.40	26.42	12.95	7.62		5.7 g	
VCFNM-40-G14M	G 1/4 Male	in	0.32	0.67	0.51	0.30	0.31	0.3 oz	Aluminum
		mm	8.00	17.02	12.95	7.62	7.87	7.7 g	
VCFNM-60-G14F	G 1/4 Female	in	1.67	0.39	1.39	0.59	N/A	0.94 oz	Aluminum
		mm	42.42	9.91	35.31	15.00		26.6 g	
VCFNM-80-G14F	G 1/4 Female	in	1.67	0.39	1.39	0.59	N/A	0.94 oz	Aluminum
		mm	42.42	9.91	35.31	15.00		26.6 g	

Fitting Group 10



Model #	Thread Size	Dimensions			Weight	Material	
		A	B	C			
VCF10-38-NPS	3/8 in. NPS Male	in	0.848	0.573	0.450	0.15 oz	Aluminum
		mm	21.5	14.6	11.4	4.3 g	
I-VCF10-38	3/8 BSP Male	in	0.825	0.573	0.450	0.15 oz	Aluminum
		mm	21.0	14.6	11.4	4.3 g	