

VC Style



Like cleated cups, oval cups have heavy load capabilities due to their rigid design and large vacuum work area. Oval cups have the largest lifting force because they provide the most surface area for a given footprint.

Part Number			A-1	A-2	Approx. Area sq. in. [sq.mm]	B - Height	B ¹ - Collapsed Height	C	D	E	F	H	Cleats	Standard Material	Optional Material	Weight oz [g]	Cup Type †
VC 89		in.	1.14	2.78	5.85	1.13	0.95	0.57	1.39	1/4 NPTF	-	-	No	V	ORV, GS or P	1	1
		mm	29.0	70.6	3774	28.7	2.41	14.5	35.3								
VC 83		in.	1.56	4.09	3.16	1.30	1.20	0.78	2.05	1/4 NPTF	-	-	No	V	ORV, GS or P	3.2	1
		mm	39.6	103.9	2039	33.0	30.5	19.8	51.9								
VC 183 2X4		in.	2.00	4.00	7.14	1.00	0.70	1.00	2.00	1/4 NPTF	-	-	Yes	V	ORV, GS or P	2.7	1
		mm	50.8	101.6	4606	25.4	17.8	25.4	50.8								
VC 183 2X6		in.	2.00	6.00	11.14	0.98	0.75	1.00	4.00	1.00	1/4 NPTF	-	Yes	V	ORV, GS or P	4.7	1
		mm	50.8	152.4	7187	24.9	19.1	25.4	101.6	25.4							
VC 90 2X10		in.	2.00	10.00	19.14	0.82	0.55	1.00	6.50	1.75	1/4 NPTF	-	No	V	ORV, GS or P	4.9	1
		mm	50.8	254.0	12348	20.8	14.0	25.4	165.1	44.5							
VC 90 3X8		in.	3.00	8.00	22.06	1.10	0.75	1.50	5.00	1.50	3/8 NPTF	-	Yes	V	ORV, GS or P	11	1
		mm	76.2	203.2	14232	27.8	19.1	38.1	127.0	38.1							
VC 90 3X10		in.	3.00	10.00	28.06	1.10	0.73	1.50	7.00	1.50	3/8 NPTF	-	Yes	V	ORV, GS or P	14	1
		mm	76.2	254.0	18103	27.8	18.5	38.1	177.8	38.1							
VC 32 3.5X5.0		in.	3.50	5.00	11.87	1.82	1.02	1.75	2.50	3/8 NPTF	-	-	Yes	V	ORV, GS or P	6.7	1
		mm	88.9	127.0	7658	46.2	25.9	44.5	63.5								
VC 129		in.	3.25	7.87	23.30	1.83	0.80	1.63	3.94	1/2 NPTF	-	-	Yes	V	ORV, GS or P	13.2	1
		mm	82.6	199.9	150.32	46.5	20.3	41.3	100.0								
VC 90 6X10		in.	6.00	10.00	58.06	1.19	0.73	2.00	6.00	2.00	6	Consult Factory	Yes	V	ORV, GS or P	24	1
		mm	152.4	254.0	37458	30.2	18.5	50.8	152.4	50.8	152.4						

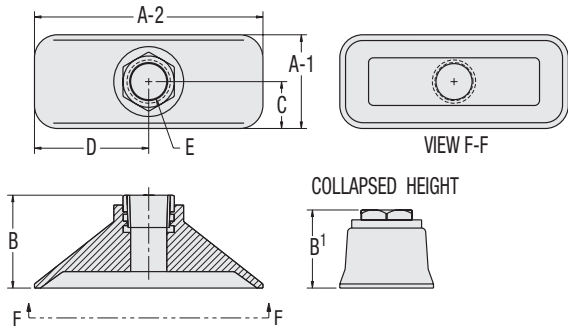
* **How to Order:** All part numbers ending with a dash require customer to specify material type to complete part number. I.E. **VC-89-GS** (for Grey Silicone material).
See Chart below for material specifications.

† Cup Type number is very useful when navigating the Vaccon website for CAD drawings.

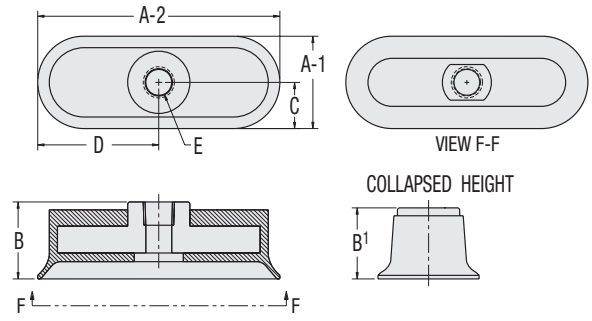
The weight of the cups shown is without fittings unless the fitting is standard ie: 1/4 NPTF.

Material	Color	Temperature Range
V - Vinyl	Blue	+32°F to +125°F (0°C to +52°C)
ORV - Oil Resistant Vinyl	Black	+32°F to +125°F (0°C to +52°C)
P - Polyurethane	Green	+32°F to +150°F (0°C to +66°C)
GS - Grey Silicone	Grey	-50°F to +392°F (-46°C to +200°C)

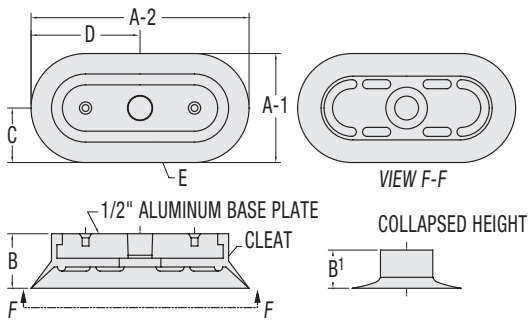
Oval Cups



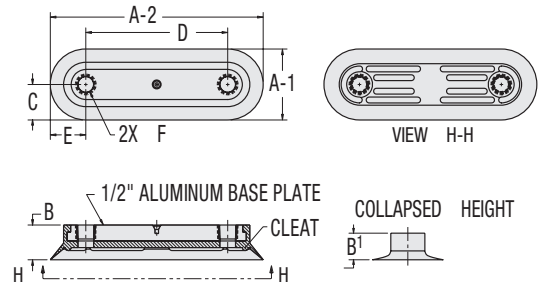
VC 89



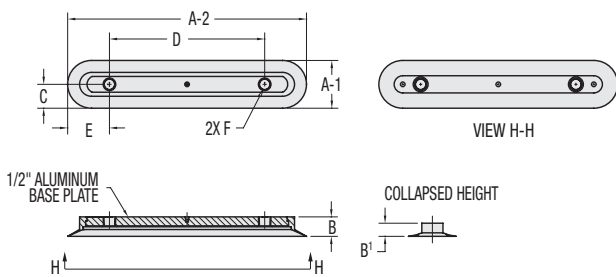
VC 83



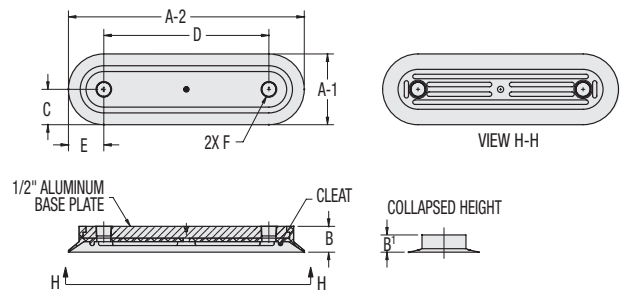
VC 183 2 x 4



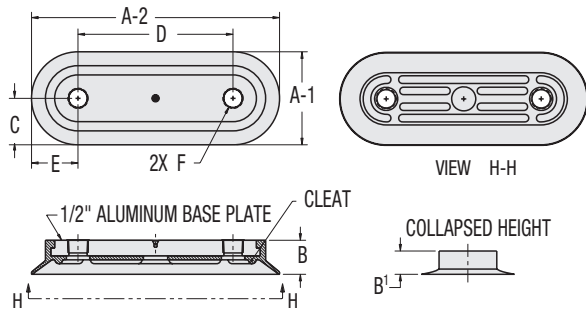
VC 183 2 x 6



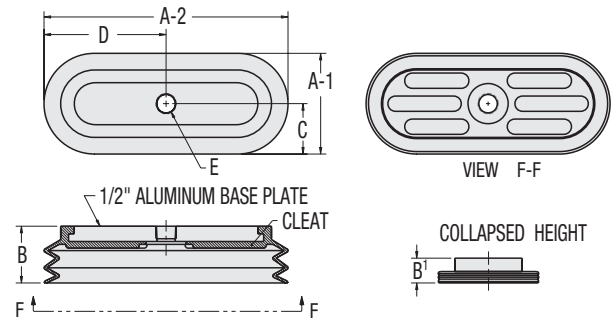
VC 90 2 x 10



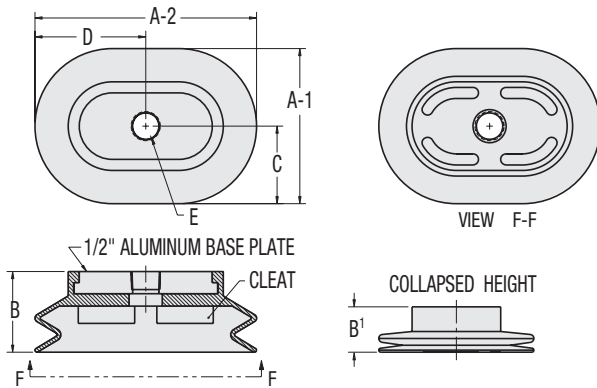
VC 90 3 x 10



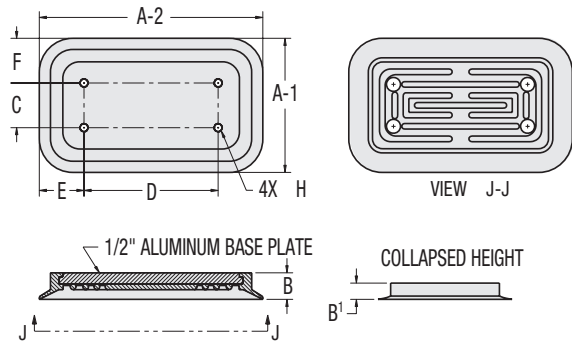
VC 90 3 x 8



VC 129



VC 32 3.5 x 5.0



VC 90 6 x 10