

Adjustable, Fixed Extension Shaft & Mounting Brackets

FEB40 (2, 3) – Mounting brackets compatible with 1.5” [40mm] extrusions, 5/16” [10mm] T-slot



FEB40-3 with bellows Vacuum cup.



FEB40-2 fixed extension shaft and bracket with VP10-100H-AC – apple core style mount and clamp for robotic assembly operation in the automotive industry.

Adjustable, Fixed Extension Shaft & Bracket is a rigid, non-moving rod that mounts to the top, sides or bottom of 1.5” [40mm] extrusions. Once the shaft is adjusted to meet a specific height requirement, the bracket is clamped into a fixed position.

Designed for flexible manufacturing operations, the FEB40 Series is easily repositioned by simply loosening 2 collar screws and sliding the shaft up or down to meet the new height requirements. For added adjustability, add an adjustable universal bracket to slide the FEB40 left or right.

Combined with Vaccon’s apple core style pump, the FEB40 Series extension shaft and bracket becomes a swivel arm assembly that rotates and pivots into any orientation (3 axis positioning) and then locks into place.

Eliminate the Guesswork: Contact Us!

Vacuum technology isn’t an exact science. To ensure proper product selection, Vaccon offers free application engineering assistance, a 30 Day Test & Evaluation Program or you can send sample products to our in-house test facility and we will test and size a pump for you.

To download a complete set of drawings in 13 different CAD formats, please visit our website at www.vaccon.com

For more information or technical assistance, please call 508-359-7200 or 800-848-8788 or email engineering@vaccon.com

Ideal Applications:

- Injection molding
- Pick & place of irregular shaped parts with large surface height differences

Features/Benefits

- Easy to assemble, modular End-of-Arm tool components – minimal design time required
- Fixed positioning for consistent indexing and part retention
- Rigid mounting design for heavy, high impact loads
- Smooth operation – reduces shock to an object that is being lifted
- Lightweight – to maximize robot payload and increase robot speed
- High flow – maximize performance and holding force for handling porous objects
- Flexible mounting options facilitates End-of-Arm tool design

Standard Adjustable, Fixed Extension Shaft & Bracket:

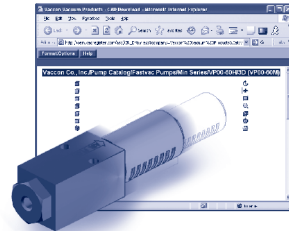
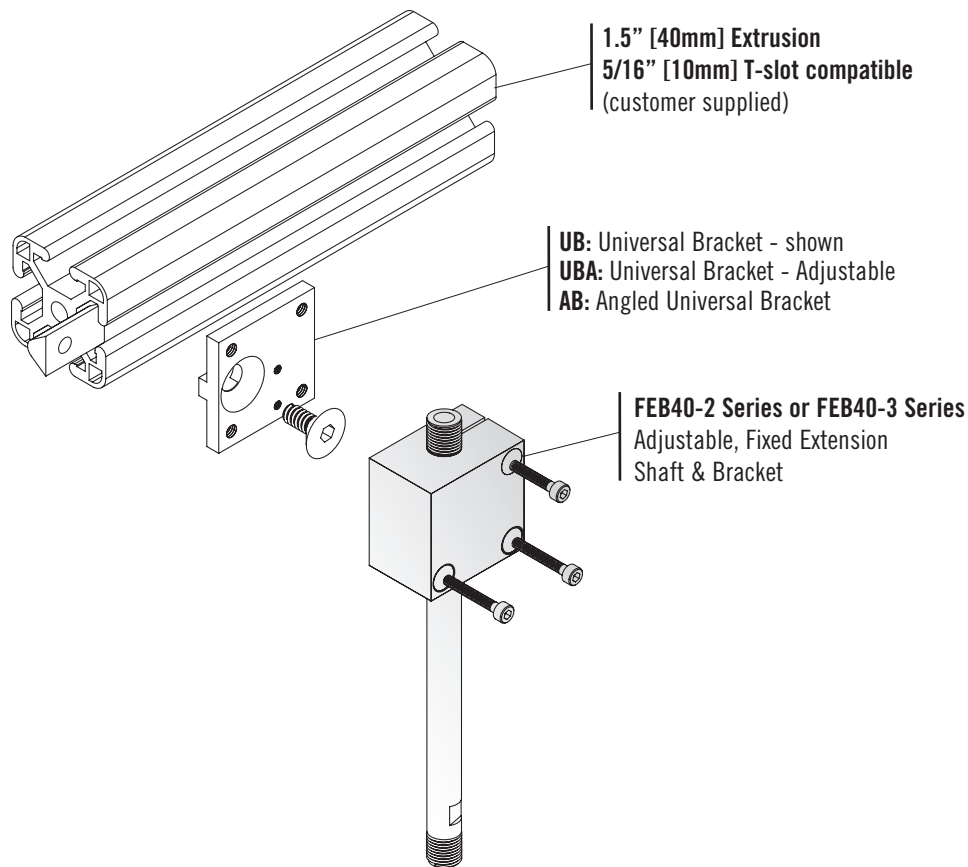
- **2 Series:** 1/8” or 1/4” NPT male
- **8 Shaft Lengths:** 0.40” to 6.7” [10mm to 170mm]
- **Mounting:** Split collar design
- **Material:** Nickel plated steel shafts and aluminum body

Adjustable, Fixed Extension Shaft & Bracket Options:

- Wide variety of vacuum cups and vacuum fittings
- Apple Core attachment
- Universal brackets for easy attachments and adjustable positioning
- Vacuum cup Swivel attachment – available for Series 3 only

Adjustable, Fixed Extension Shaft & Mounting Brackets

Adjustable Fixed Length Extension Brackets: FEB40- (2, 3) – Configurations and Options:



On-line Configurator and CAD Drawings @ www.vaccon.com

New powerful design tool saves you time by configuring the pump you need on-line. When complete, simply download the CAD drawing in any one of 13 different CAD formats and insert it right into your design.

**Get the pump you need,
in the format you like!**

How to Specify:

Part Number	Adjustable, Fixed Extension Shaft & Brackets
Series 2	
FEB40/I-FEB40-2-40	0.40" [10.16mm] extension length, 1/8" NPT [G1/8] male
FEB40/I-FEB40-2-120	1.97" [50.04mm] extension length, 1/8" NPT [G1/8] male
FEB40/I-FEB40-2-200	3.51" [89.15mm] extension length, 1/8" NPT [G1/8] male
FEB40/I-FEB40-2-280	5.11" [129.8mm] extension length, 1/8" NPT [G1/8] male
Series 3	
FEB40/I-FEB40-3-120	1.97" [50.04mm] extension length, 1/4" NPT [G1/4] male
FEB40/I-FEB40-3-200	3.51" [89.15mm] extension length, 1/4" NPT [G1/4] male
FEB40/I-FEB40-3-280	5.11" [129.8mm] extension length, 1/4" NPT [G1/4] male
FEB40/I-FEB40-3-360	6.70" [170.2mm] extension length, 1/4" NPT [G1/4] male

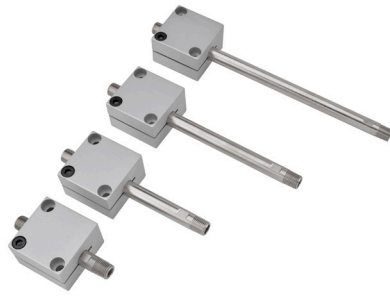
To specify FEB40, choose part number based on extension length desired, thru bore diameter and thread size on each end of shaft.

Please order FEB40's as separate line items based on part number. i.e. **FEB40-2-280**. To order metric threads place an "I-" in front of the part number. Example: **I-FEB40-2-280**.

Please order Universal brackets (UB, UBA or AB) as separate line items based on part numbers.

To attach Adjustable, Fixed Extension Shafts & Brackets to extrusions, please see page 315 for Universal Bracket mounting options.

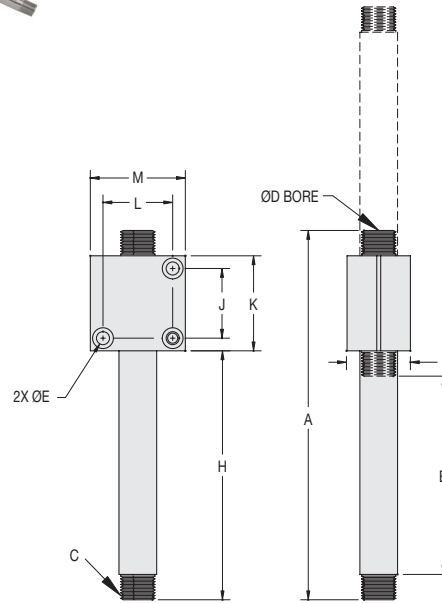
Adjustable – Fixed Length Extension Shafts & Brackets



Series 2
FEB40-2- (40, 120, 200, 280)



Series 3
FEB40-3-(120, 200, 280, 360)



Dimensions											
Model # Series 2		A	B	C	D	E	F	H	J, L	K, M	Weight
FEB40-2-40	in.	2.70	0.40	1/8" NPTM	0.24 [6.1]	0.21 [5.2]	1.00 [25.4]	0.80	1.10 [27.9]	1.50 [38.1]	4.7 oz
I-FEB40-2-40	mm	68.6	10.2	G1/8 M				20.3			133.2g
FEB40-2-120	in.	4.27	1.97	1/8" NPTM				2.37			4.7 oz
I-FEB40-2-120	mm	108.5	50.0	G1/8 M				60.2			133.2g
FEB40-2-200	in.	5.83	3.51	1/8" NPTM				3.91			5.3 oz
I-FEB40-2-200	mm	148.1	89.2	G1/8 M				99.3			150.3g
FEB40-2-280	in.	7.41	5.11	1/8" NPTM				5.51			5.9 oz
I-FEB40-2-280	mm	188.2	129.8	G1/8 M				140.0			167.3g

Dimensions											
Model # Series 3		A	B	C	D	E	F	H	J, L	K, M	Weight
FEB40-3-120	in.	4.27	1.97	1/4" NPTM	0.31 [7.9]	0.21 [5.2]	1.00 [25.4]	2.37	1.10 [27.9]	1.50 [38.1]	6.9 oz
I-FEB40-3-120	mm	108.5	50.0	G1/4 M				60.2			195.6g
FEB40-3-200	in.	5.83	3.51	1/4" NPTM				3.91			7.9 oz
I-FEB40-3-200	mm	148.1	89.2	G1/4 M				99.3			224.0g
FEB40-3-280	in.	7.41	5.11	1/4" NPTM				5.51			9.9 oz
I-FEB40-3-280	mm	188.2	129.8	G1/4 M				140.0			280.7g
FEB40-3-360	in.	9.00	6.70	1/4" NPTM				7.10			11 oz
I-FEB40-3-360	mm	228.6	170.2	G1/4 M				180.3			311.8g