

Heavy Duty Spring Levelers/ Level Compensators

SLB40 (2, 3) - Mounting brackets compatible with 1.5" [40mm] extrusions, 5/16" [10mm] T-slot



Heavy Duty Spring Levelers lift parts from different horizontal levels or uneven surfaces.

When handling sensitive objects such as fruit, Vaccon Spring Levelers feature a soft touch allowing compliance for end-of-arm tools to ensure that all cups make contact. This is especially important when handling large objects such as sheets of plywood that may be warped and the tool has multiple vacuum cups that must make contact.

Vaccon's Spring Leveler design surpasses the competition. We offer large thru-bores that allow higher vacuum flow to overcome leakage and for rapid evacuation to ensure safe handling operations

For design flexibility, Vaccon offers a large range of sizes and travel lengths 0.2" [5mm] to 3.6" [91mm] to accommodate the necessary over-driving by the lifting mechanism to bring all cups in contact.

Recommended for applications which require lifting heavy loads without deflection, Vaccon Heavy Duty Spring Levelers include a rigid mounting bracket for a strong, solid connection to 1.5" [40mm] extrusions.

Ideal Applications:

- End-of-Arm Tooling
- Press load and unload automotive automation
- Robotic assembly
- Pick & place
- Sheet feeding
- Stamping press transfer

Features/Benefits

- Easy to assemble, modular End-of-Arm Tooling components – Minimal design time required
- Durable – Rigid mounting design for heavy, high impact loads
- Smooth operation – Reduces shock to an object that is being lifted
- Lightweight – To maximize robot payload and increase robot speed
- High flow – Maximize performance and holding force for handling porous objects
- Flexible mounting options facilitates End-of-Arm Tooling tool design

Standard Spring Levelers:

- **2 Series:** 1/8" and 1/4" NPT male thread
- **8 Models:** Travel lengths from 0.40" to 3.60" [10mm to 91mm]
- Nickel plated steel shafts, stainless steel springs, high performance bearings and aluminum body

Spring Leveler Options:

- Vacuum cups and vacuum fittings
- Swivel attachment – Available for Series 3 only

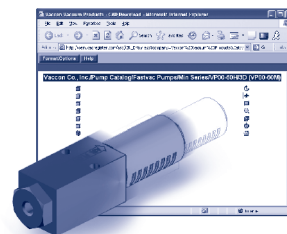
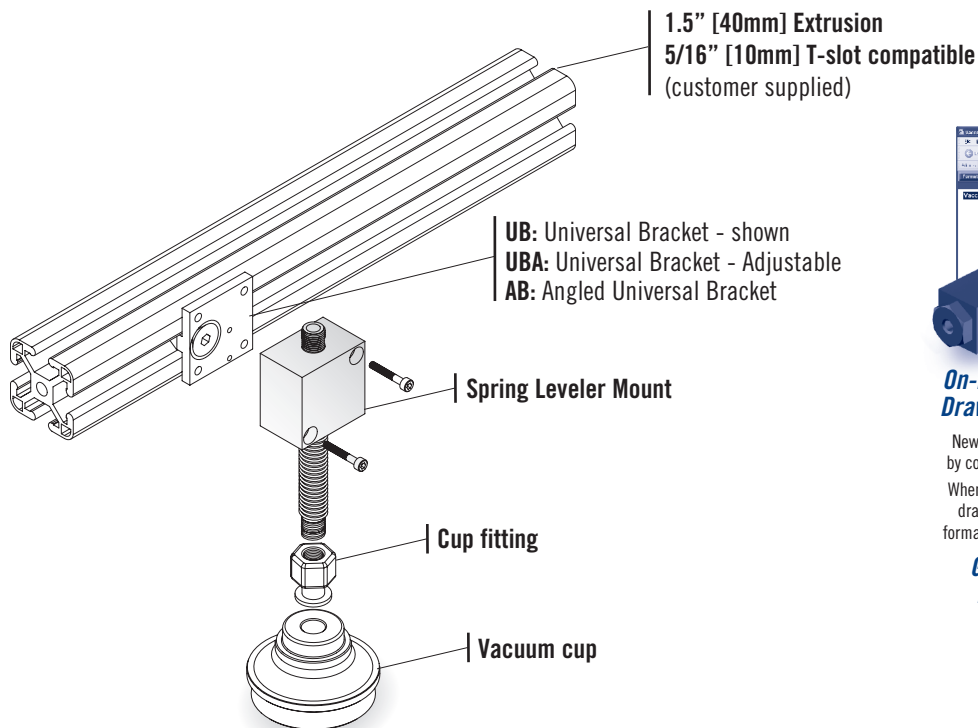
Eliminate the Guesswork: Contact Us!

Vacuum technology isn't an exact science. To ensure proper product selection, Vaccon offers free application engineering assistance, a 30 Day Test & Evaluation Program or you can send sample products to our in-house test facility and we will test and size a pump for you.

To download a complete set of drawings in 13 different CAD formats, please visit our website at www.vaccon.com

For more information or technical assistance, please call 508-359-7200 or 800-848-8788 or email engineering@vaccon.com

Heavy Duty Spring Leveler Mounting Assembly



On-line Configurator and CAD Drawings @ www.vaccon.com

New powerful design tool saves you time by configuring the pump you need on-line. When complete, simply download the CAD drawing in any one of 13 different CAD formats and insert it right into your design.

**Get the pump you need,
in the format you like!**

How to Specify:

Part Number	Heavy Duty Spring Leveler Mounting Assembly
Series 2	
SLB40/I-SLB40-2-40	0.40" [10.16mm] travel, 1/8" NPT male thread
SLB40/I-SLB40-2-120	1.20" [30.48mm] travel, 1/8" NPT male thread
SLB40/I-SLB40-2-200	2.00" [50.80mm] travel, 1/8" NPT male thread
SLB40/I-SLB40-2-280	2.80" [71.12mm] travel, 1/8" NPT male thread
Series 3	
SLB40/I-SLB40-3-120	1.20" [10.16mm] travel, 1/4" NPT male thread
SLB40/I-SLB40-3-200	2.00" [30.48mm] travel, 1/4" NPT male thread
SLB40/I-SLB40-3-280	2.80" [50.80mm] travel, 1/4" NPT male thread
SLB40/I-SLB40-3-360	3.60" [71.12mm] travel, 1/4" NPT male thread

When ordering spring levelers check the "B" dimension for travel range.

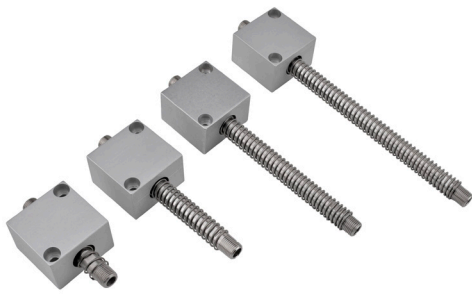
Please order spring levelers as separate line items based on part number i.e. **SLB40-2-40**

If you would like parts factory assembled, please specify on order "factory assembled."

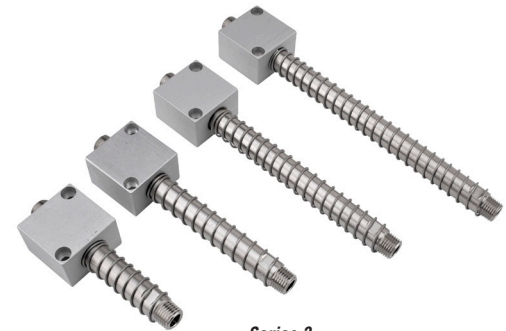
To attach Heavy Duty Spring Levelers to extrusions, please see page 315 for Universal Bracket mounting options.

Heavy Duty Spring Levelers/Level Compensators

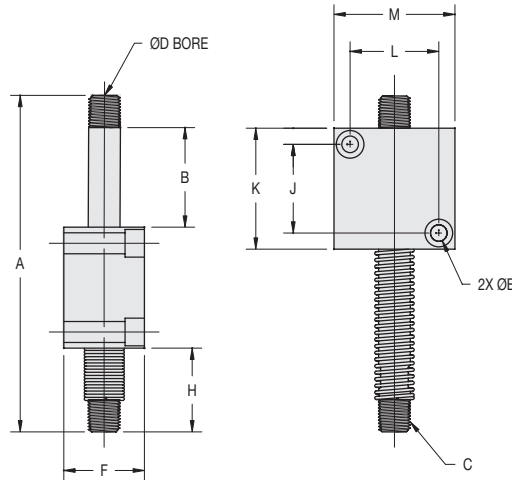
Heavy Duty Spring Levelers – Series SLB40-2, SLB40-3



Series 2
SLB40-2 (40, 120, 200, 280)



Series 3
SLB40-3 (120, 200, 280, 360)



Model # Series 2	Dimensions										Weight
		A	B-Travel	C	D	E	F	H	J, L	K, M	
SLB40-2-40	in.	2.70	0.40	1/8" NPTM	0.24 [6.1]	0.21 [5.2]	1.00 [25.4]	0.40	1.10 [27.9]	1.50 [38.1]	4.7 oz
I-SLB40-2-40	mm	68.6	10.2	G1/8 M				10.2			133.2g
SLB40-2-120	in.	4.27	1.20	1/8" NPTM				1.17			4.7 oz
I-SLB40-2-120	mm	108.5	30.5	G1/8 M				29.7			133.2g
SLB40-2-200	in.	5.83	2.00	1/8" NPTM				1.93			5.3 oz
I-SLB40-2-200	mm	148.1	50.8	G1/8 M				49.0			150.3g
SLB40-2-280	in.	7.41	2.80	1/8" NPTM				2.71			5.9 oz
I-SLB40-2-280	mm	188.2	71.1	G1/8 M				68.8			167.3g

Model # Series 3	Dimensions										Weight
		A	B-Travel	C	D	E	F	H	J, L	K, M	
SLB40-3-120	in.	4.27	1.20	1/4" NPTM	0.31 [7.9]	0.21 [5.2]	1.00 [25.4]	1.17	1.10 [27.9]	1.50 [38.1]	6.9 oz
I-SLB40-3-120	mm	108.5	30.5	G1/4 M				29.7			195.6g
SLB40-3-200	in.	5.83	2.00	1/4" NPTM				1.93			7.9 oz
I-SLB40-3-200	mm	148.1	50.8	G1/4 M				49.0			224.0g
SLB40-3-280	in.	7.41	2.80	1/4" NPTM				2.71			9.9 oz
I-SLB40-3-280	mm	188.2	71.1	G1/4 M				68.8			280.7g
SLB40-3-360	in.	9.00	3.60	1/4" NPTM				3.49			11 oz
I-SLB40-3-360	mm	228.6	91.4	G1/4 M				88.6			311.8g