

# Universal Mounting Brackets – Standard, Adjustable, Angled

Compatible with 1" [25mm] and 1.5" [40mm] extrusions



Standard Universal Bracket attaches VP10-100H to extrusion for halogen bulb pick and place operation.



Universal Bracket (Adjustable) with Vacuum cup/Manifold block assembly. See page 320 for Vacuum cup/Manifold block.



Angled Bracket holds VP10-60M vacuum pump and cup, with exposed fastening screw for quick and easy adjustments.

## Features/Benefits

- 3 Styles – standard, adjustable or angled with simple erector-set connectivity
- Anodized aluminum – lightweight – reduces stress, extends performance and life of robot
- Modular components add design flexibility – adaptable for all EOAT configurations
- Keyed profile for tight fit – non-rotating – strong holding force
- Mounting kit includes hardware to attach products to extrusions
- Angled brackets have optional adjustment knob, consult factory



UB, UBA, and AB brackets.

Universal Mounting Brackets are simple, lightweight connectors that attach Vaccon vacuum pumps, vacuum cups, spring levelers and manifold blocks to 1" or 1.5" extrusions.

Available in 3 models, standard, adjustable or angled, our Universal Brackets are keyed to fit securely in 1/4" [6.5mm] or 5/16" [10mm] T-slots, remain square and increase holding force.

Brackets are available with or without mounting hardware.

### Standard Universal Bracket: (UB)

The standard UB is a fixed position bracket that is tamper resistant. Once the screw is tightened to the extrusion and a product is mounted to the bracket the fastening screw is now covered and inaccessible to adjust.

### Eliminate the Guesswork: Contact Us!

Vacuum technology isn't an exact science. To ensure proper product selection, Vaccon offers free application engineering assistance, a 30 Day Test & Evaluation Program or you can send sample products to our in-house test facility and we will test and size a pump for you.

To download a complete set of drawings in 13 different CAD formats, please visit our website at [www.vaccon.com](http://www.vaccon.com)

For more information or technical assistance, please call 508-359-7200 or 800-848-8788 or email [engineering@vaccon.com](mailto:engineering@vaccon.com)

### Universal Bracket Adjustable: (UBA)

An elongated version of the standard bracket, the UBA features an exposed fastening screw that enables quick, easy bracket adjustments along the T-slot.

### Angled Universal Bracket: (AB)

For operations that require frequent adjustments, the AB models are the easiest to re-position. One side of the bracket holds the vacuum pump, the other side of the bracket attaches to the extrusion enabling the bracket assembly to slide along the T-slot for unlimited adjustments. With the pump located on a 90° angle, the fastening screw is easily accessible at all times. Optional adjustment knobs are available for the AB models.

# Universal Mounting Brackets - Standard, Adjustable, Angled

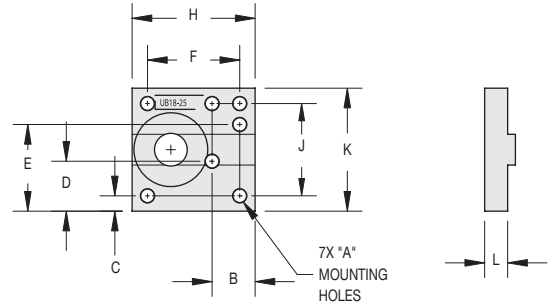
## Universal Brackets and Mounting Kits for 1" Extrusions



Bracket only: UB18-25



Bracket & Mounting Kit: MK-UB18-25



Bracket accepts: Vaccon VP00, VPOX, VP10 & VP1X Series pumps and MB18-25 manifold block.

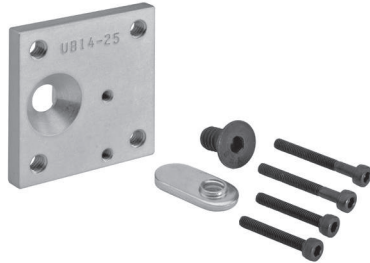
Model #		Dimensions									Weight
		A- Mtg Holes	B	C	D	E	F, J	H, K	L		
UB18-25	Fits 1/4 T-Slot	in	M3 x 0.5	0.35	0.13	0.41	0.70	0.75	1.00	0.19	0.3 oz
	Fits 6.5mm T-Slot	mm		8.9	3.2	10.3	17.8	19.1	25.4	4.7	8.5g

Note 1: Mounting kit includes all hardware to mount pumps and manifold block.

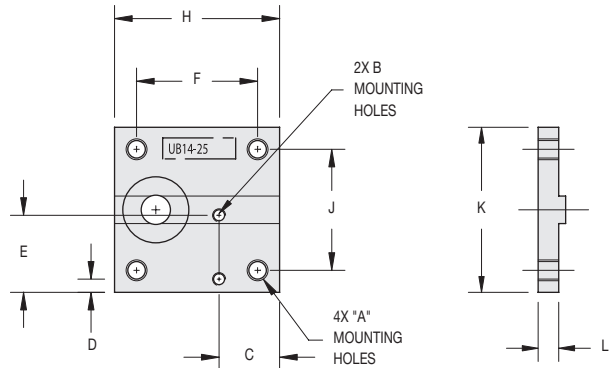
Note 2: Depending on the pump being mounted, it may be necessary to rotate the bracket 180° from diagram shown.



Bracket only: UB14-25



Bracket & Mounting Kit: MK-UB14-25



Bracket accepts all Vaccon VP Series pumps except the VP00/VPOX Series. Fits All MB14 Series manifold blocks. (Allows larger pumps to be mounted to 1" extrusions).

Model #		Dimensions								Weight	
		A- Mtg Holes	B- Mtg Holes	C	D	E	F, J	H, K	L		
UB14-25	Fits 1/4 T-Slot	in	10-32	M3 x 0.5	0.55	0.12	0.70	1.10	1.50	0.19	0.7 oz
	Fits 6.5mm T-Slot	mm			14.0	3.0	17.8	27.9	38.1	4.7	19.8g

Note 1: Mounting kit includes all hardware to mount pumps and manifold block.

### How to Specify:

**Bracket only:** See Model Numbers: i.e. UB18-25

**Bracket & Mounting Kit:** Add "MK" for mounting kit in front of Model Number i.e. MKUB18-25

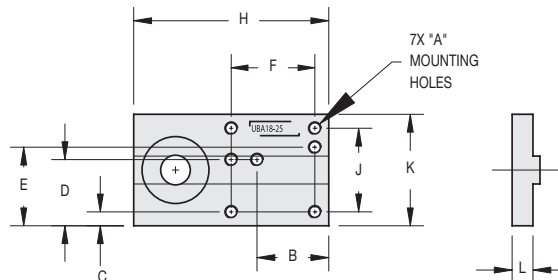
## Universal Brackets (Adjustable) and Mounting Kits for 1" Extrusions



Bracket only: UBA18-25



Bracket & Mounting Kit: MK-UBA18-25



Bracket accepts: Vaccon VP00, VPOX, VP01BV, VP10 & VP1X Series pumps and MB18-25 manifold block.

Model #		Dimensions										Weight
		A- Mtg Holes	B	C	D	E	F, J	H	K	L		
UBA18-25	Fits 1/4 T-Slot	in	M3 x 0.5	0.64	0.13	0.60	0.70	0.75	1.75	1.00	0.19	0.5 oz
	Fits 6.5mm T-Slot	mm		16.4	3.2	15.2	17.8	19.1	44.5	25.4	4.7	14.2g

Note 1: Mounting kit includes all hardware to mount pumps and manifold block.

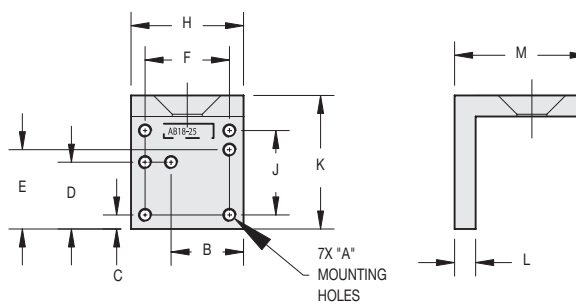
## Angled Brackets and Mounting Kits for 1" Extrusions



Bracket only: AB18-25



Bracket & Mounting Kit: MK-AB18-25



Bracket accepts: Vaccon VP00, VPOX, VP01BV, VP10 & VP1X Series pumps and MB18-25 manifold block.

Model #		Dimensions										Weight	
		A- Mtg Holes	B	C	D	E	F, J	H	K	L	M		
AB18-25	Fits 1/4 T-Slot	in	M3 x 0.5	0.64	0.13	0.60	0.70	0.75	1.00	1.19	0.19	1.19	0.6 oz
	Fits 6.5mm T-Slot	mm		16.4	3.2	15.2	17.8	19.1	25.4	30.2	4.7	30.1	17.0g

Note 1: Mounting kit includes all hardware to mount pumps and manifold block.

### How to Specify:

**Bracket only:** See Model Numbers: i.e. AB18-25

**Bracket & Mounting Kit:** Add "MK" for mounting kit in front of Model Number i.e. MKAB18-25

**Bracket & Mounting Kit with Adjustment Knob:** ABKUB14-40

# Universal Mounting Brackets - Standard, Adjustable, Angled

## Universal Brackets and Mounting Kits for 1.5" Extrusions



Bracket only: UB14-40 (5/16th T-slot)



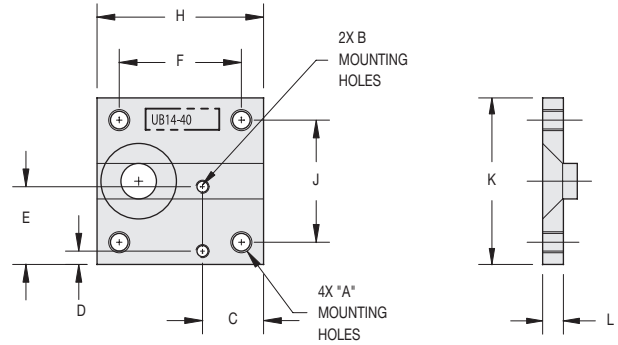
Bracket only: IUB14-40 (10mm T-slot)



Bracket and Mounting Kit:  
MK-UB14-40 (5/16th T-slot)



Bracket and Mounting Kit:  
IMK-IUB14-40 (10mm T-slot)



Accepts all VP10 Series pumps and above, and MB14 manifold blocks.

Note 1: Mounting kit includes all hardware to mount pumps and manifold block.

Model #		Dimensions								Weight	
		A- Mtg Holes	B- Mtg Holes	C	D	E	F, J	H, K	L		
UB14-40	Fits 5/16 T-Slot	in	10-32	M3 x 0.5	0.55	0.12	0.70	1.10	1.50	0.19	0.7 oz
IUB14-40	Fits 10mm T-Slot	mm			14.0	3.0	17.8	27.90	38.10	4.70	19.8g

## Universal Brackets (Adjustable) and Mounting Kits for 1.5" Extrusions



Bracket only: UBA14-40 (5/16th T-slot)



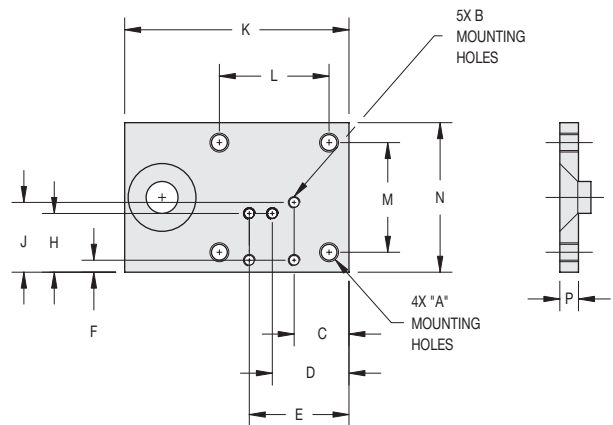
Bracket only: IUBA14-40 (10mm T-slot)



Bracket and Mounting Kit:  
MK-UBA14-40 (5/16th T-slot)



Bracket and Mounting Kit:  
IMK-IUBA14-40 (10mm T-slot)



Accepts all VP Series pumps and MB14 Cup Mounts.

Note 1: Mounting kit includes all hardware to mount pumps and manifold block.

Model #		Dimensions														Weight
		A- Mtg Holes	B- Mtg Holes	C	D	E	F	H	J	K	L	M	N	P		
UBA14-40	Fits 5/16 T-Slot	in	10-32	M3 x 0.5	0.55	0.77	1.00	0.12	0.59	0.70	2.25	1.10	1.10	1.50	0.19	1 oz
IUBA14-40	Fits 10mm T-Slot	mm			14.0	19.5	25.4	3.0	15.0	17.8	57.2	27.9	27.9	38.1	4.7	28.3g

### How to Specify:

**Bracket only:** See Model Numbers: i.e. UB14-40

**Bracket & Mounting Kit:** Add "MK" for mounting kit in front of Model Number i.e. MKUB14-40

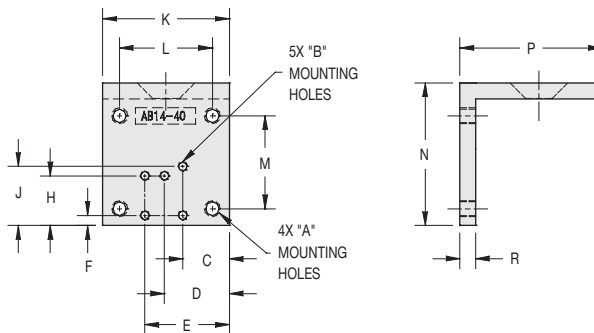
## Angled Brackets and Mounting Kits for 1.5" Extrusions



Bracket only: AB14-40



Bracket & Mounting Kit: MK-AB14-40  
Available with optional adjustment knob.  
See Bracket Construction Sequence below



Accepts all VP Series pumps and MB14 Cup Mounts.

Note 1: Mounting kit includes all hardware to mount pumps and manifold block.

Model #		Dimensions														Weight	
		A- Mtg Holes	B- Mtg Holes	C	D	E	F	H	J	K	L	M	N	P	R		
AB14-40	Fits 5/16 T-Slot	in	10-32	M3 x 0.5	0.55	0.77	1.00	0.12	0.59	0.70	1.50	1.10	1.50	1.69	1.69	0.19	1 oz
IAB14-40	Fits 10mm T-Slot	mm			14.0	19.5	25.4	3.0	15.0	17.8	38.1	27.9	38.1	42.8	42.8	4.7	28.3g

### How to Specify:

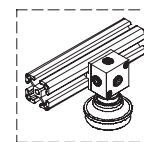
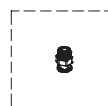
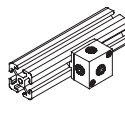
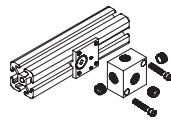
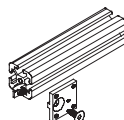
Bracket only: See Model Numbers: i.e. UB14-40

Bracket & Mounting Kit: Add "MK" for mounting kit in front of Model Number i.e. MKUB14-40

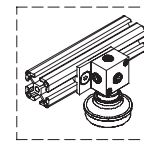
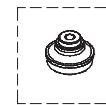
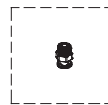
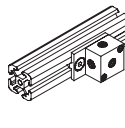
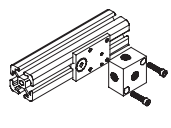
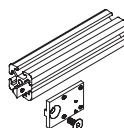
Bracket & Mounting Kit with Adjustment Knob: MK-ABK14-40 (angled brackets only)

### Standard, Adjustable & Angled Bracket Construction Sequence:

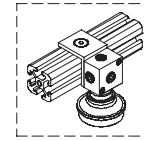
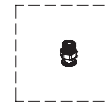
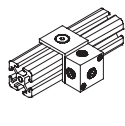
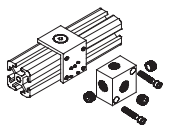
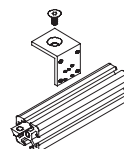
Standard Bracket



Adjustable Bracket



Angled Bracket



Angled Bracket w/Optional Adjustment Knob

