

Aggregate Conveying Vacuum Pump

DF 25-12-110-RI & Replacement Kit



DF 25-12-110-RI



DF 25-12-110-KIT includes body, o-rings and retaining clips for fast replacement of worn parts.

Please go to www.vaccon.com to view step-by-step video instructions.

Standard Pump:

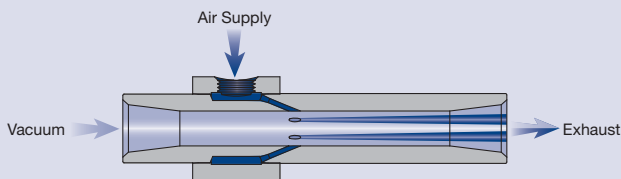
The DF 25-12-110-RI is a material transfer pump that is ideal for spraying dry and abrasive materials i.e. mineral fragments, stone dust, metal filings, ceramics and more.

Originally designed for spreading bridge aggregate, the DF 25 features an angled exhaust that produces a conical spray for consistent high volume output of coarse materials. Fast becoming the choice of bridge and roadway construction workers, the DF 25 pump safely and efficiently conveys aggregate from super sacks or dump trucks directly to the bridge deck or road surface, eliminating the need for hand spreading or bulk dumping.

NOTE: As of 1/1/17 Vaccon is transitioning its VDF/CDF/DF pumps from clear anodize to black anodize. The change in color does not affect the performance or durability in any way.

Principles of Operation:

Compressed air is fed into an exterior annular ring that has a number of orifices leading into the main tube of a transducer. As the compressed air exits from the orifices, its velocity increases to supersonic speed. The air forced into the center of the tube rotates with a twisting motion similar to a worm screw. This cyclonic flow creates a powerful vacuum capable of drawing materials into and through the transducer. As a vacuum source, the DF Series are capable of rapid evacuation of a large volume of air to a low vacuum level.



DF 25-12-110-RI Aggregate Conveying Pump Standard Specifications:

Body Material:	Anodized Aluminum Standard
Operating Temperature:	-100° to ~ 400° F [-73° to ~204°C]
Operating Pressure:	Input pressure of 40 PSI or more is sufficient to move most bulk materials and liquids
Supply Pressure:	Regulate the supply pressure to develop the necessary transfer speed for your application

Ideal Applications:

- Bulk conveyance of dry, abrasive materials:
 - ~ Stone
 - ~ Aggregate
 - ~ Ceramics
 - ~ Metals
- Spraying
- Coating
- Spreading
- Broadcasting
- Mixing
- Metalizing
- Bridge & deck repair
- Road & Construction surfaces

Features/Benefits:

- Automates manual operation
- Uniform, conical spray
- Controlled output
- Maximum coverage
- Minimizes waste
- Reduces labor costs
- Safer work environment
- Increased production
- Efficient
- Cost effective
- Easy installation
- DIY Replacement Kits available

When the body of the pump inevitably wears out, it can be easily replaced with a new body eliminating the cost to purchase an entirely new pump. A replacement body kit includes a body, o-rings & retaining clips that can be easily swapped out in the field in a matter of minutes – minimizing downtime.

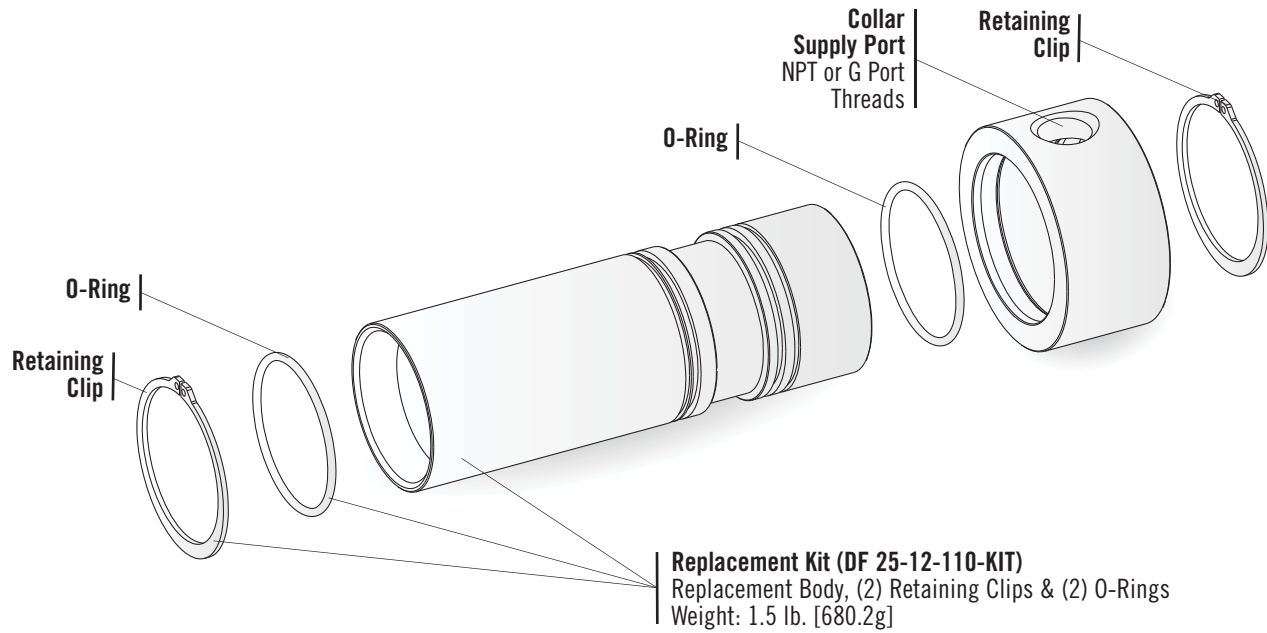
Pump Options:

- Available in NPT or G Port Thread

The DF 25 pump runs on 80 PSI using existing construction site compressors. (Minimum 20HP compressor required.)

For safety purposes, Vaccon strongly recommends the use of special safety fit air hose connections, couplings and fittings.

DF 25-12-110-RI Aggregate Conveying Pump Configuration:



How to Specify:

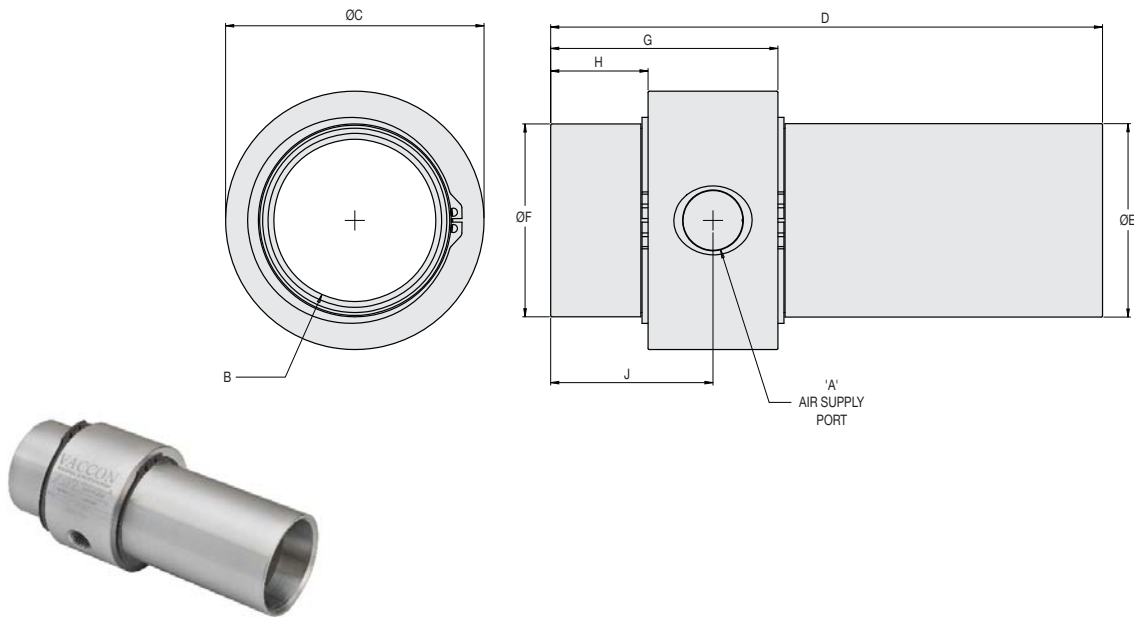
DF 25-12-110-RI

P/N	Imperial
DF 25-12-110-RI	Full Pump (Includes Collar, Body, Retaining Clips & O-Rings)
P/N	Metric
I-DF 25-12-110-RI	Full Pump (Includes Collar, Body, Retaining Clips & O-Rings)

P/N	Replacement Kit
DF 25-12-110-KIT	Includes Replacement Body, Retaining Clips & O-Rings

Aggregate Conveying Pumps

Standard Pump: DF 25-12-110-RI Aggregate Conveying Pump:



Model #	Imperial Dimensions (in.)									
	A	B	C	D	E	F	G	H	J	Weight
DF 25-12-110-RI	3/4 NPT	2.50	3.98	8.50	2.98	2.97	3.50	1.50	2.50	2.57 lb.
Model #	Metric Dimensions (mm)									
	A	B	C	D	E	F	G	H	J	Weight
I-DF 25-12-110-RI	G 3/4	63.5	101.1	215.9	75.7	75.4	88.9	38.1	63.5	1.67 kg

DF 25-12-110-KIT - Replacement Kit:



Replacement Kit includes:

- A** (1) Body
- B** (2) Retaining Clips
- C** (2) O-rings

(Pump collar and external retainer ring pliers not included)

To view an instructional video on how to dis-assemble and re-assemble the DF 25-12-110-RI, go to www.vaccon.com/videos



DF 25-12-110-RI with safety coupling.

For safety purposes, Vaccon strongly recommends the use of special safety fit air hose connectors, couplings and fittings. (Vaccon does not supply these items.)