

Liquid Conveying Vacuum Pumps

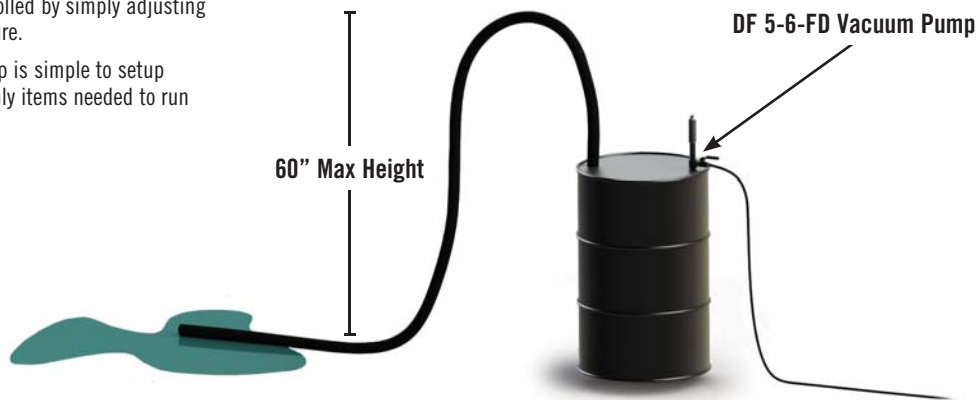
DF 5-6-FD-ST8B Series



The DF 5-6 FD is a modified DF material conveying pump for field or mobile cleanup of liquid spills. Designed to quickly clean up liquids, the DF 5-6 FD pump threads directly into a standard 55-gallon drum or other container with 3/4-14 NPS threaded ports. The DF 5-6-FD pump is safe, using no electricity and includes an overfill prevention device to seal off the DF pump when the container is filled. The transfer or collection speed can be controlled by simply adjusting the input air pressure.

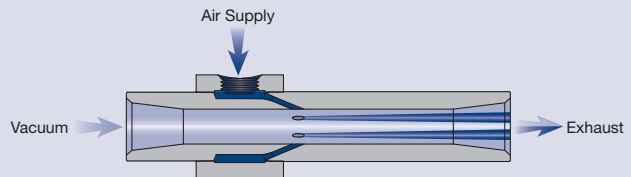
The DF 5-6 FD pump is simple to setup and operate. The only items needed to run

the DF 5-6 FD pump are compressed air supply, tubing (with 1/4 NPT male fitting) and a compatible hose to collect the liquid. The standard DF 5-6 FD pump is made of anodized aluminum. Specialty materials are available - consult factory.



Principles of Operation:

Compressed air is fed into an exterior annular ring that has a number of orifices leading into the main tube of a transducer. As the compressed air exits from the orifices, its velocity increases to supersonic speed. The air forced into the center of the tube rotates with a twisting motion similar to a worm screw. This cyclonic flow creates a powerful vacuum capable of drawing materials into and through the transducer. As a vacuum source, the DF Series are capable of rapid evacuation of a large volume of air to a low vacuum level.



Ideal Applications

Cleanup of liquid material spills:

- Water
- Gasoline
- Oil
- Chemicals

Features/Benefits

- Variety of specialty materials to accommodate chemical and environmental requirements:
 - ~ Special materials available – consult factory ~ Hardcoat and Teflon® coated anodizing
- Field adjustable transfer speed
- Safe operation – no electricity needed at the pump, automatic shutoff
- Easy to install, pump threads directly into containers with 3/4-14 NPS ports
- Efficient with fast response
- Reliable, durable, trouble-free operation:
 - ~ No moving parts to wear out
 - ~ Straight-through design, non-clogging
 - ~ No maintenance, no downtime

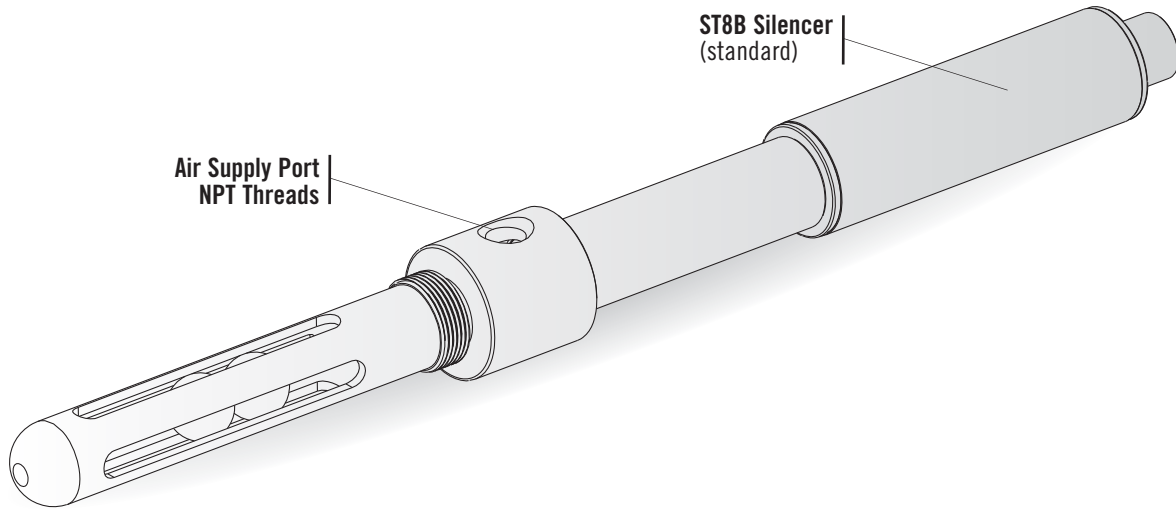
Pump Options

- For chemical compatibility, heat and environmental requirements, food and medical applications, custom materials are available: stainless steel, Delrin®, Teflon®, PVC, and more. Consult factory.

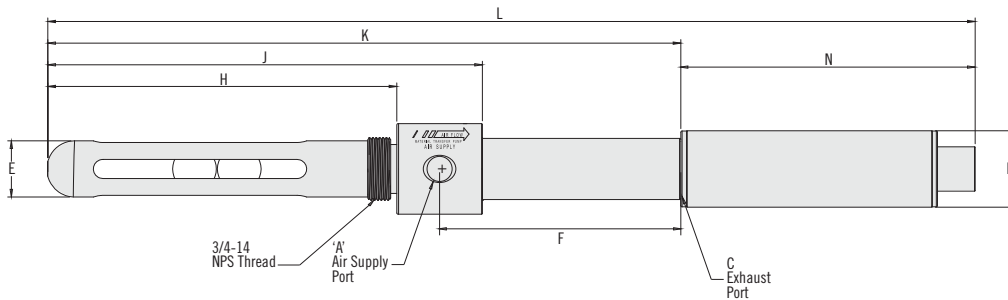
DF 5-6-FD-ST8B Liquid Conveying Pumps Standard Specifications:

Body Material:	Anodized Aluminum Standard
Operating Temperature:	-100° to ~ 400° F [-73° to ~204°C]
Operating Pressure:	Input pressure of 50 PSI or more is sufficient to move most bulk materials and liquids
Supply Pressure:	Regulate the supply pressure to develop the necessary transfer speed for your application

DF 5-6 FD-ST8B Liquid Conveying Pump Configuration:



Standard Pump Dimensions: DF 5-6 FD-ST8B Liquid Conveying Pumps



Model #	Dimension Table (Imperial, Metric)											
	A	C	D Minimum Bore	E	F	H	J	K	L	M	N	Weight
DF 5-6 FD-ST8B	1/4 NPT F	1/4" NPT	0.50	0.92	3.87	5.71	7.11	10.35	1.25	15.25	4.90	11.0 oz.
			12.7	22.4	98.3	145.0	180.6	262.9	31.8	387.4	124.5	310.0 g