

## **New!** Inline Venturi Vacuum Pump w/ Atmospheric Release

### VPIA-60H-DEL



VPIA-60H-DEL and VCC-E-034-SR Egg Cup pick & place of fragile eggs.



Food Grade Silicone Cups:  
VCC-E-034-S, VCC-E-034-SR  
and VCC-E-037-SR.

*Integrated cup is key. Instant, quick but soft release vs. slow bleed. Ideal for pick & place of fragile curved surfaces like lightbulbs, eggs and ceramics.*

#### Ideal Applications:

- Pick & place of small lightweight objects
- Packaging
- Glass
- Optical
- Semiconductor
- Vacuum Holding
- Transfer Operations
- Curved Surfaces
- Beverage - Bottle Handling
- Pharmaceutical
- Food Processing
- Medical

#### Features/Benefits:

- All pneumatic – no electricity required
- FDA approved Delrin®
- Quick release without hard blow-off
- Safe handling of fragile objects
- Integral vacuum fitting
- Quiet operation
- Compact & lightweight
- Efficient – minimal air consumption
- Powerful vacuum up to 25" Hg [846mbar]
- Low operating pressure - 45 PSI [3.0 bar]

#### Standard Pump:

Vaccon's VPIA Series of inline venturi vacuum pumps feature a fast acting, quick release for pick & place applications. Ideal for handling round, oval, delicate or fragile objects, VPIA pumps go from vacuum to atmosphere with an instant release - not a slow bleed - for faster operations.

With an integral fitting and the proper cup selection, the VPIA Series pumps transform manual labor processes into automated assembly, yielding higher productivity and improved quality.

Made of FDA approved white Delrin®, the VPIA vacuum pumps are safe for food processing, medical and pharmaceutical applications. VPIA pumps operate at 45 PSI.

#### Performance Level Designations:

"H" 0-25" Hg, [0 to 846mbar] for high vacuum/standard flow applications

#### Pump Options:

- 3 Sizes of FDA approved silicone cups:  
VCC-E-034-S, VCC-E-034-SR, VCC-E-037-SR

#### Eliminate the Guesswork: Contact Us!

Vaccon technology isn't an exact science. To ensure proper product selection, Vaccon offers free application engineering assistance, a 30 Day Test & Evaluation Program or you can send sample products to our in-house test facility and we will test and size a pump for you.

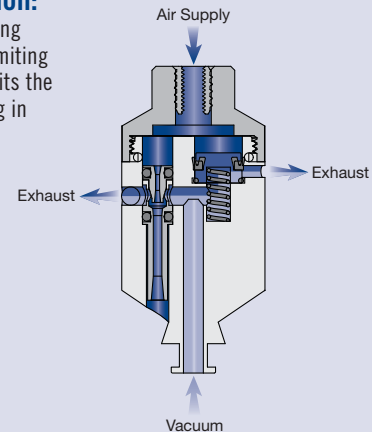
To download a complete set of drawings in 13 different CAD formats, please visit our website at [www.vaccon.com](http://www.vaccon.com)

For more information or technical assistance, please call 508-359-7200 or 800-848-8788 or email [engineering@vaccon.com](mailto:engineering@vaccon.com)

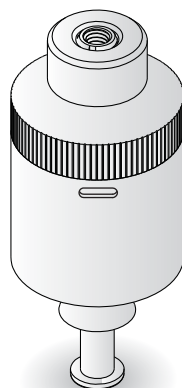
#### Principles of Operation:

Vacuum is produced by forcing compressed air through a limiting orifice (nozzle). As the air exits the orifice it expands, increasing in velocity to supersonic speed before entering the venturi section (diffuser).

This creates a vacuum at the vacuum inlet port located between the nozzle and diffuser. Combined, the nozzle and diffuser create a venturi vacuum cartridge.



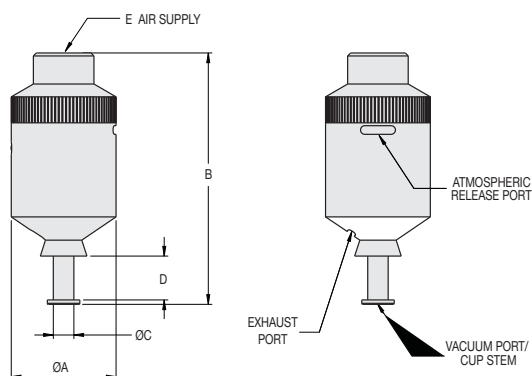
## How to Specify: VPIA-60H-DEL



### VPIA-60H-DEL Inline Venturi Vacuum Pump w/ Atmospheric Release Standard Specifications:

<b>Pump Material:</b>	White Delrin® body, brass cartridge
<b>Medium:</b>	Filtered (50 micron) un-lubricated, non-corrosive dry gases
<b>Operating Temperature:</b>	32 to 120 °F [0 to 99 °C]
<b>Operating Pressure:</b>	45 PSI [3.0 bar]
<b>Air Supply Port:</b>	10-32 Female press fitting for tubing
<b>Vacuum Port:</b>	0.35 diameter barb

*For complete Performance Data, see page 3.54 – Equivalent to a VP10-60H.*



Model #	Imperial Dimensions (in.)				
	A	B	C	D	E
VPIA-60H-DEL	1.13	2.70	0.22	0.47	#10-32
	Metric Dimensions (mm)				
	28.7	68.7	5.6	11.9	#10-32